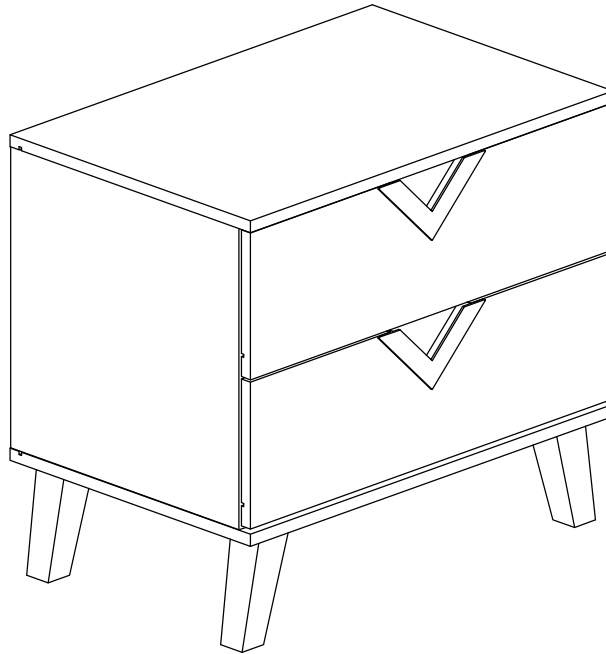
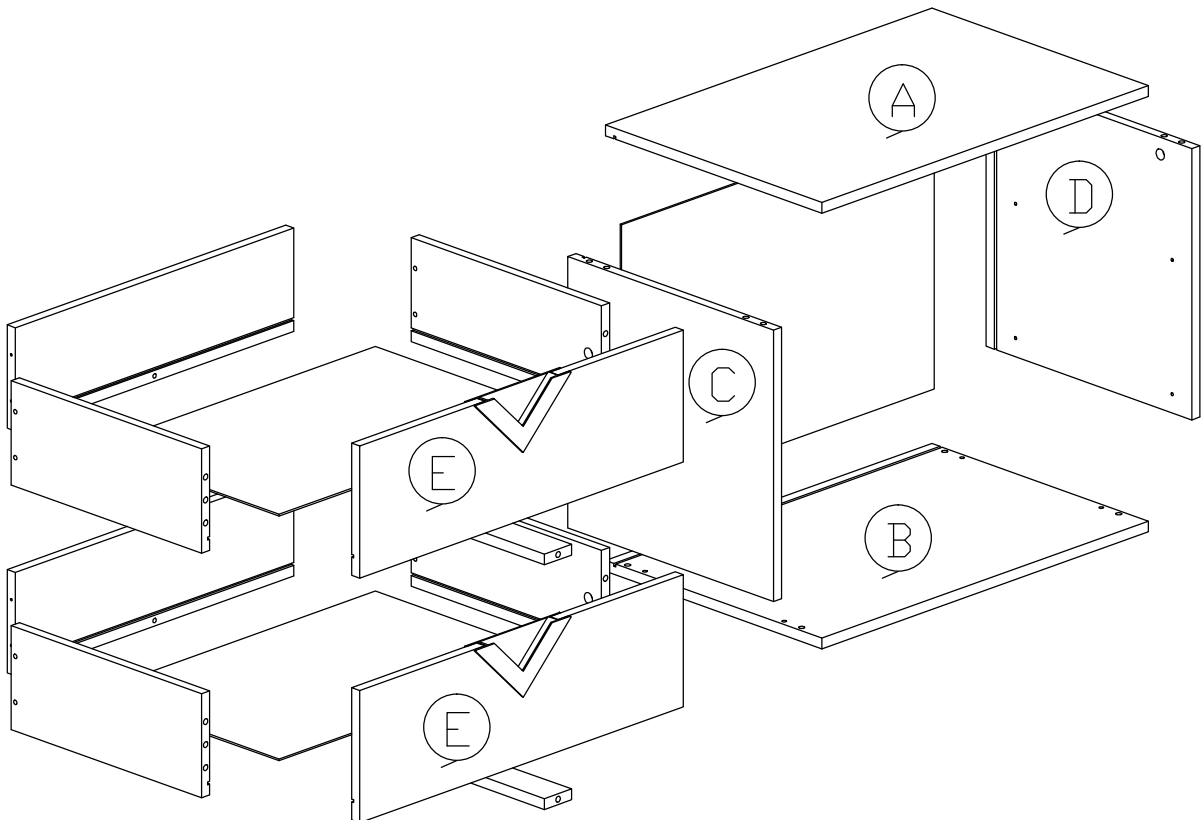


# Assembly Instruction

Model : WI7562


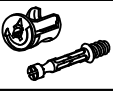










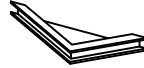
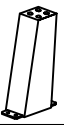
## Part List



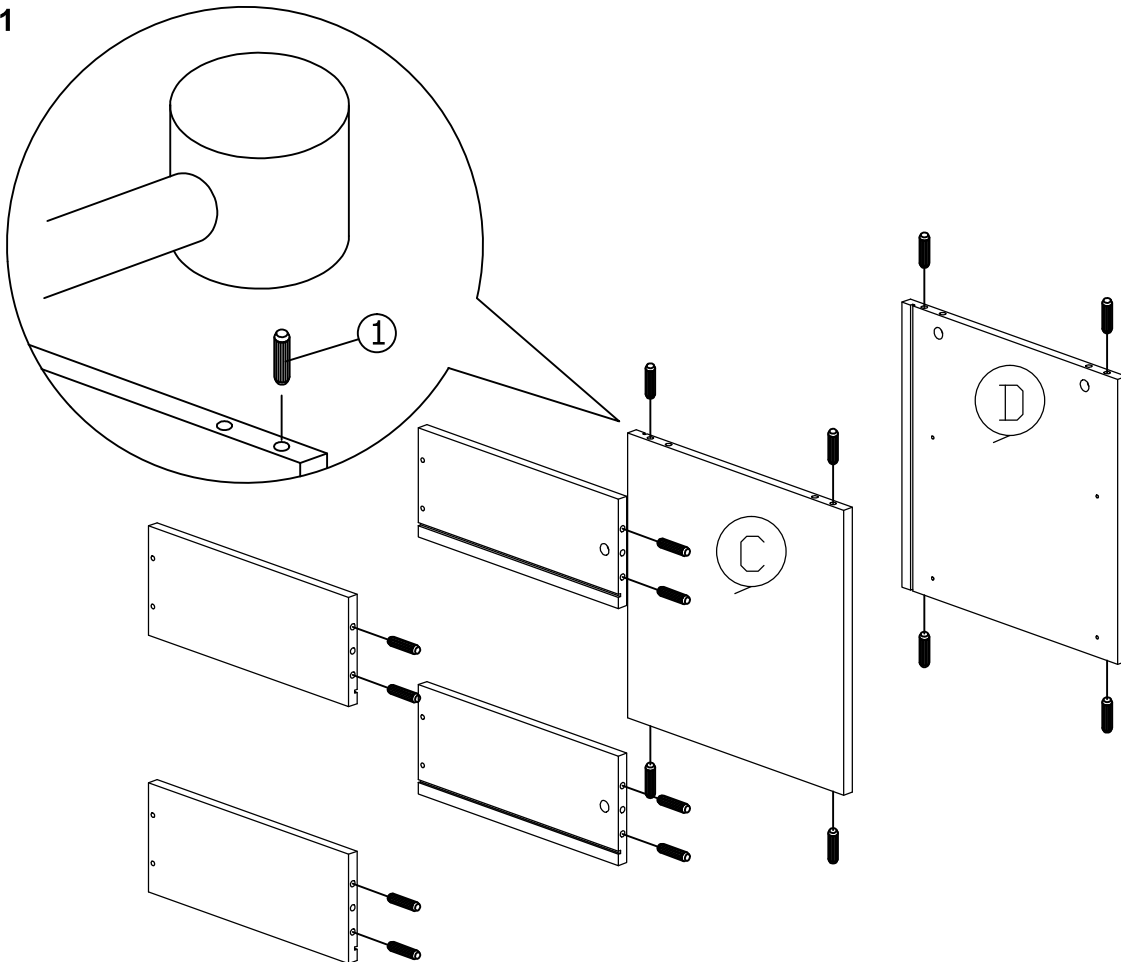
# Assembly Instruction

## Hardware List

No.	SHAPE	DESCRIPTION	Qty.
1		<b>8x25mm Wood Dowel</b>	16Pcs
2		<b>15MM Myfix Minifix</b>	10Sets
3		<b>M3x16mm Screw</b>	4Pcs
4		<b>M3.5x15mm Screw</b>	30Pcs
5		<b>M5x8mm Screw (Euro Screw)</b>	8Pcs
6		<b>M4x38mm Screw</b>	10Pcs
7		<b>M5x38mm Screw</b>	4Pcs
8		<b>15mm Minifix Cap</b>	4Pcs
9		<b>Z Bracket (Big)</b>	2Pcs
10		<b>Metal Drawer Slide 14" (350mm)</b>	2 Sets

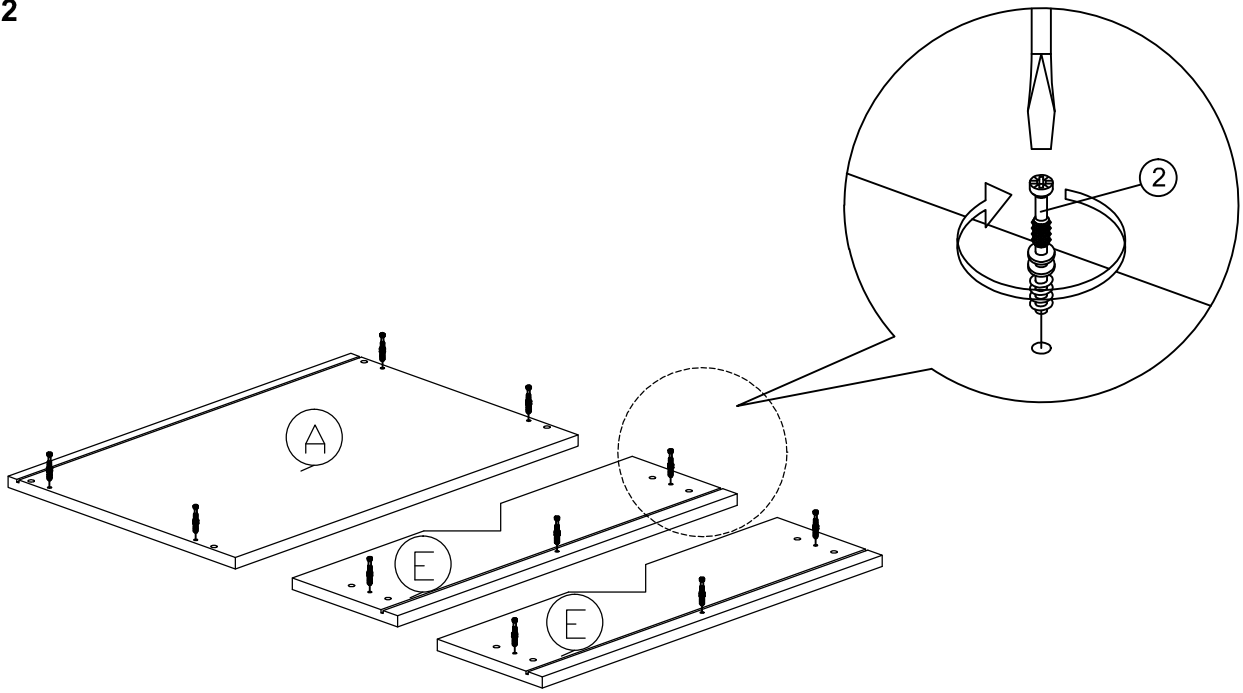
11		<b>OS-V Handle</b>	2 Pcs
12		<b>OS-140mm Long Tapper Leg</b>	4 Pcs

## Step 1

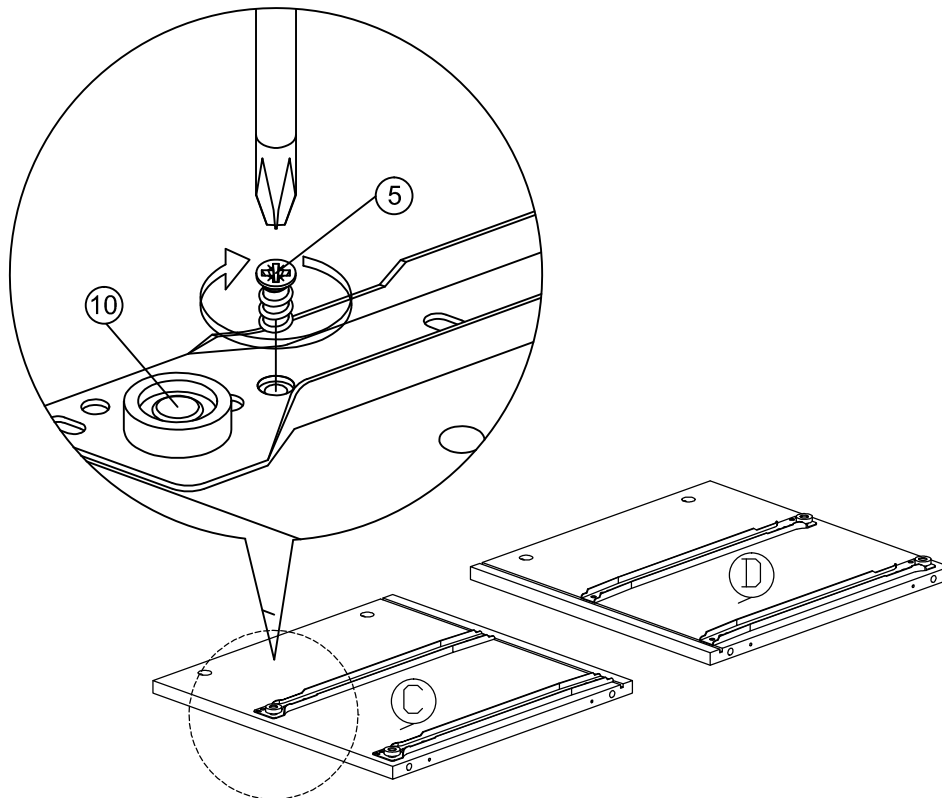


# Assembly Instruction

## Step 2

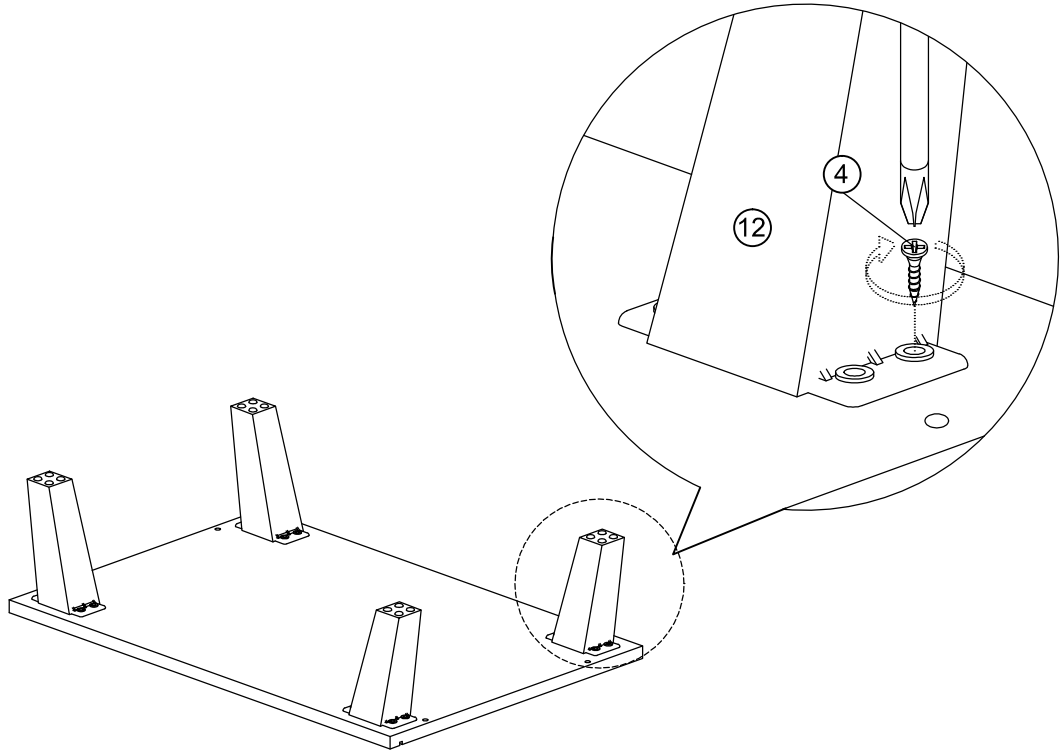


## Step 3

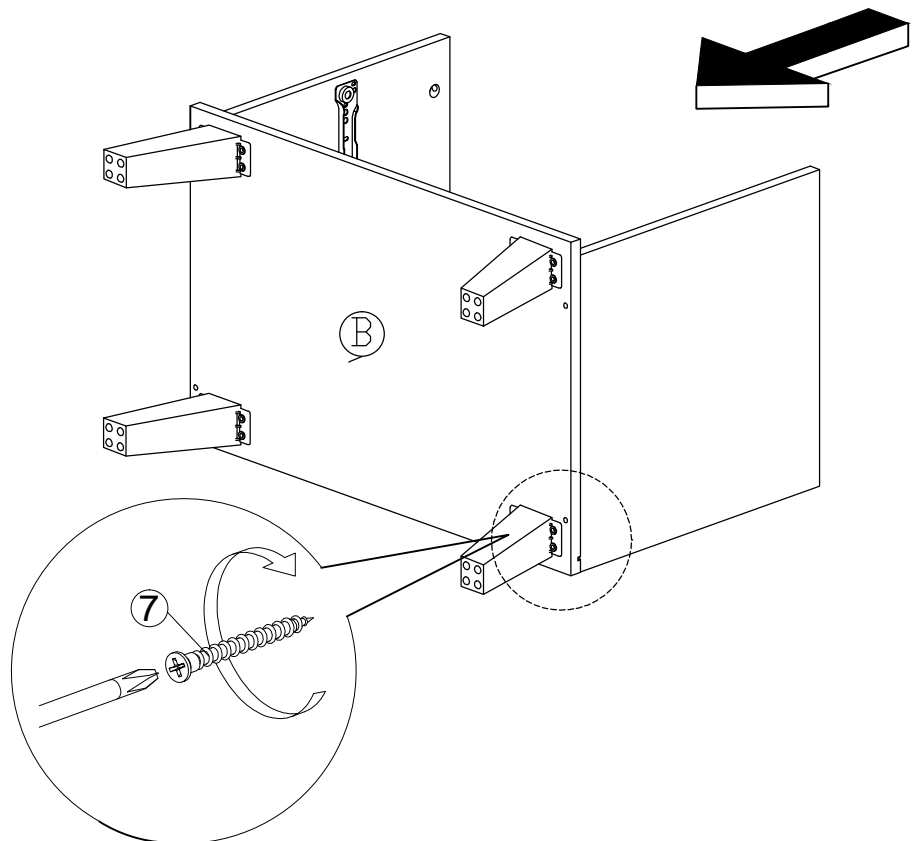


# Assembly Instruction

## Step 4

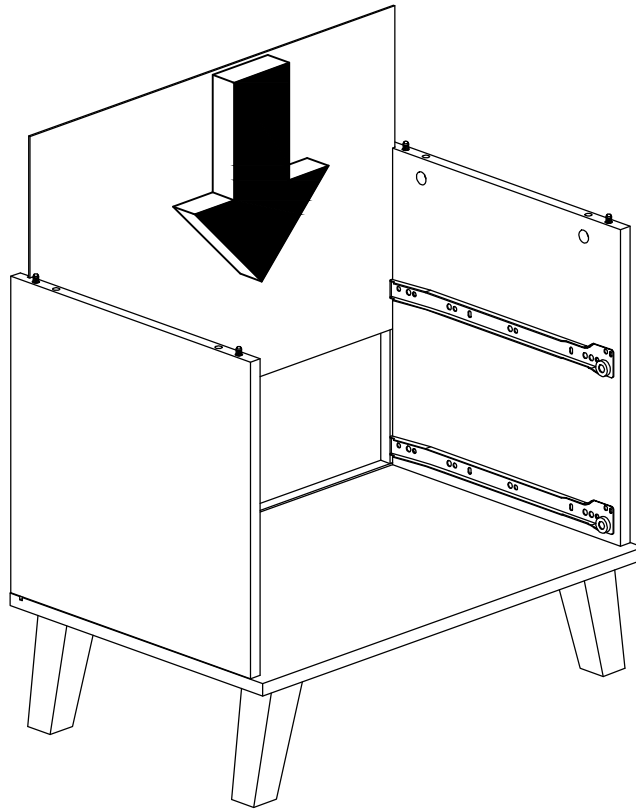


## Step 5

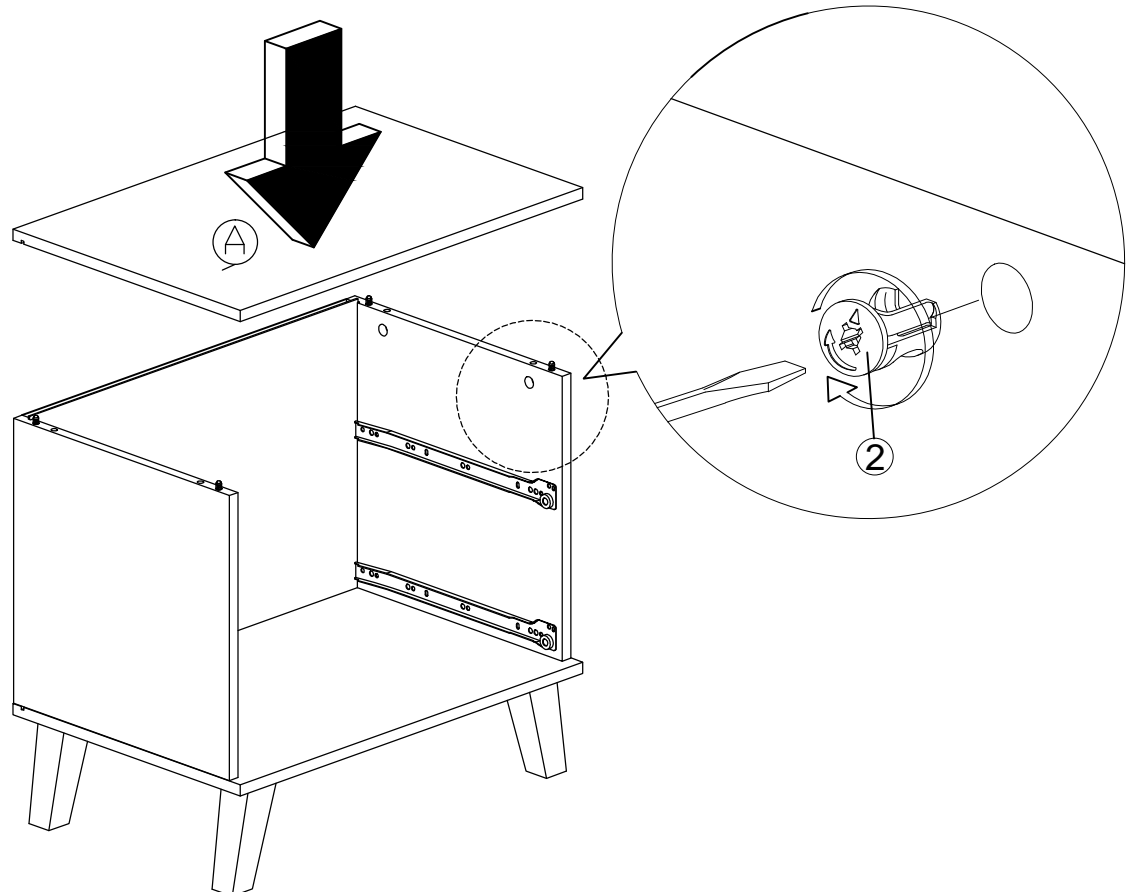


# Assembly Instruction

## Step 6

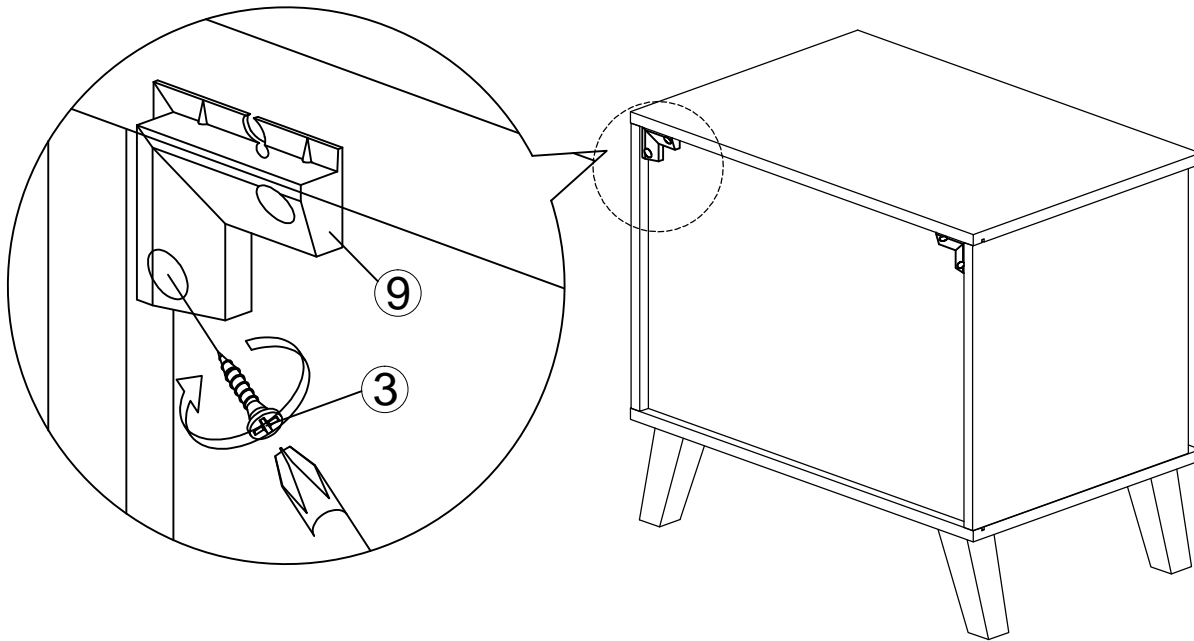


## Step 7

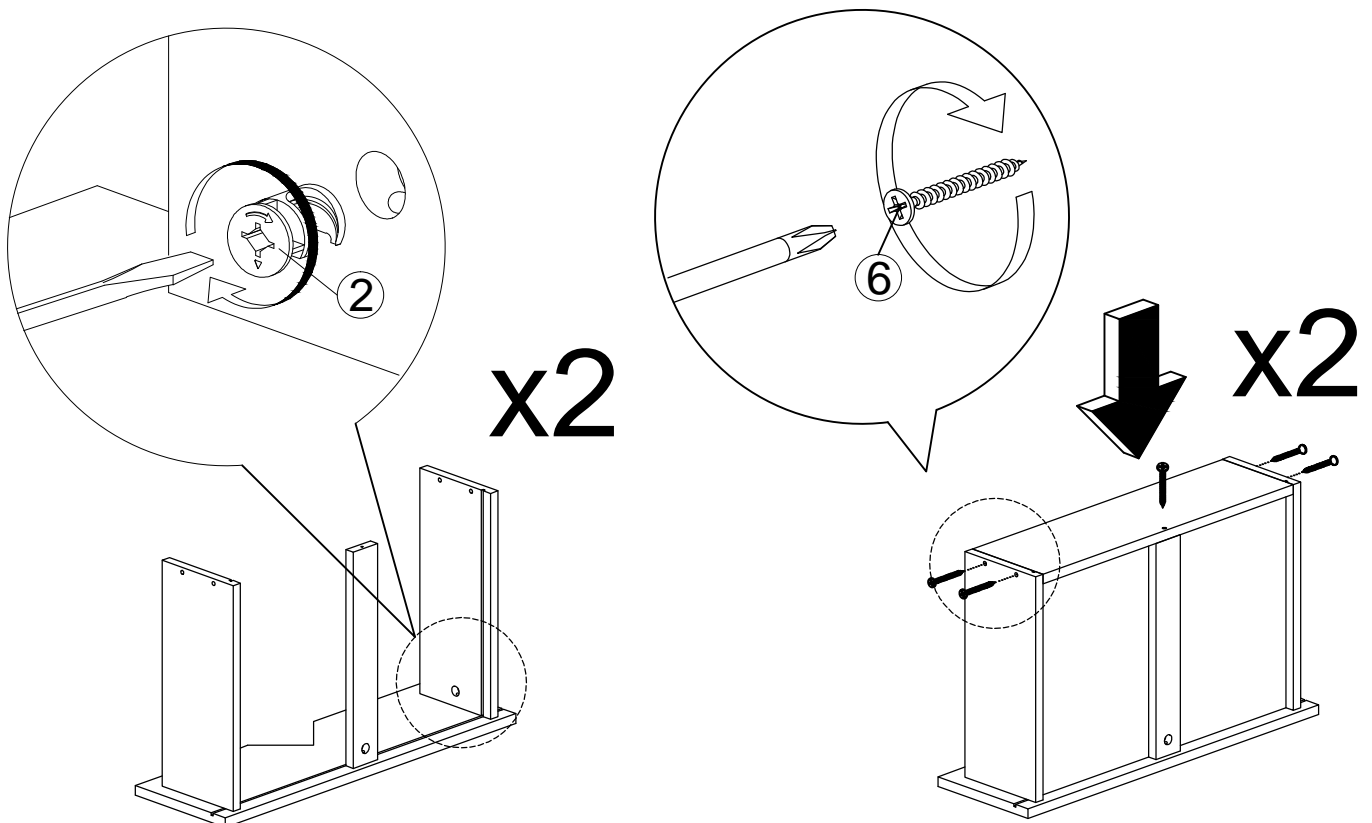


# Assembly Instruction

## Step 8

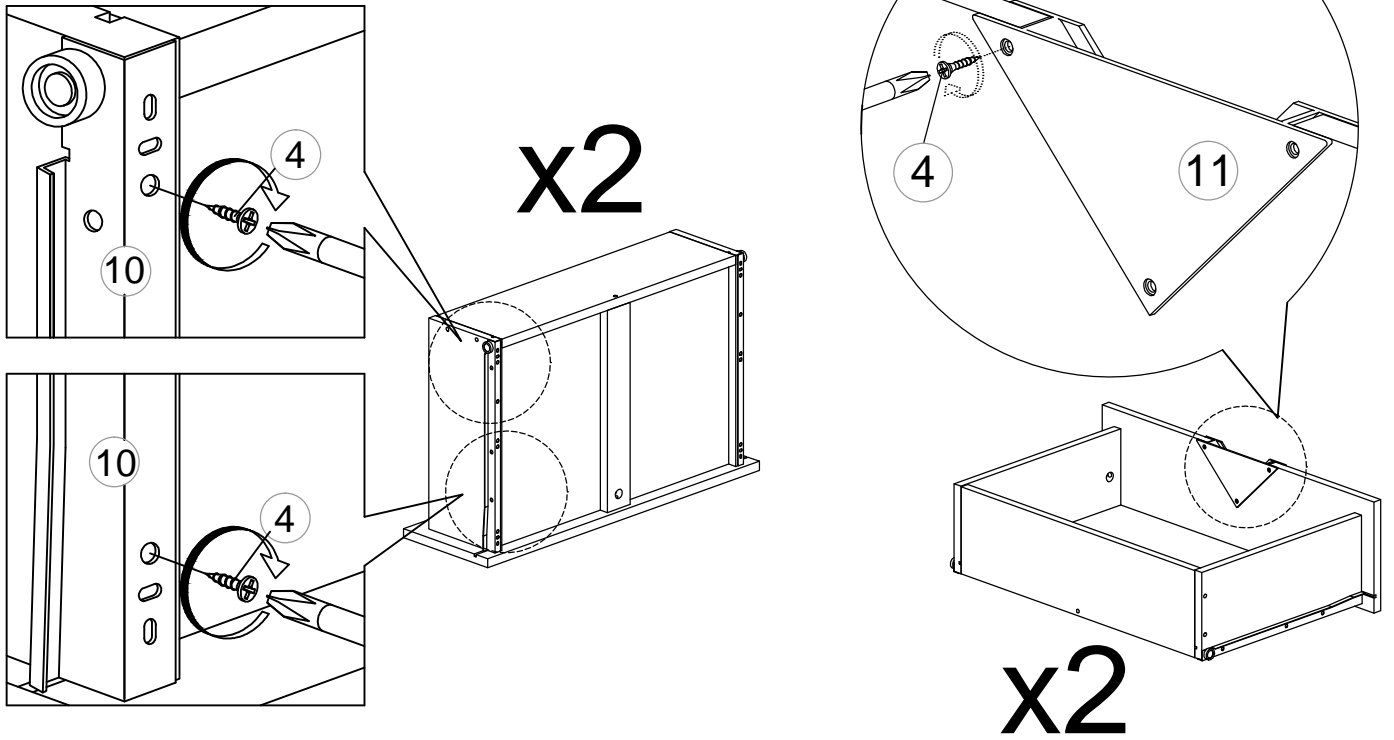


## Step 9

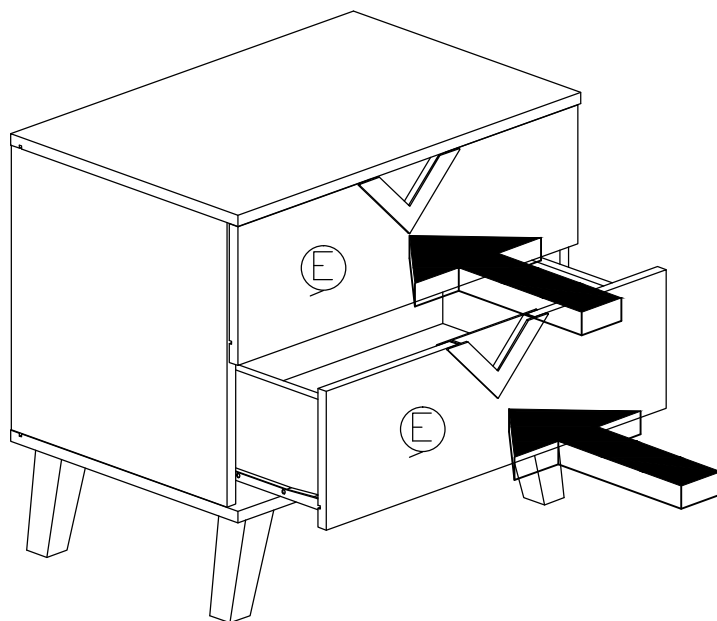


# Assembly Instruction

## Step 10

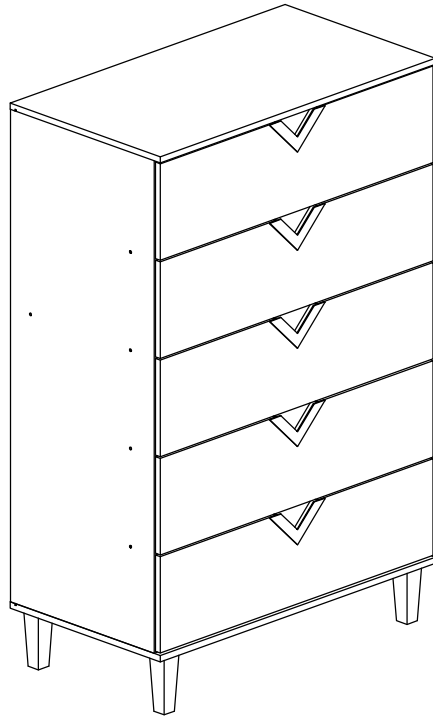


## Complete

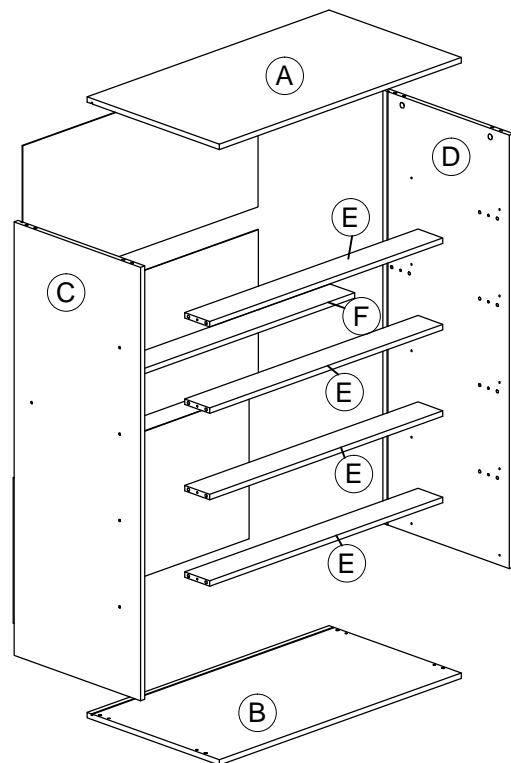
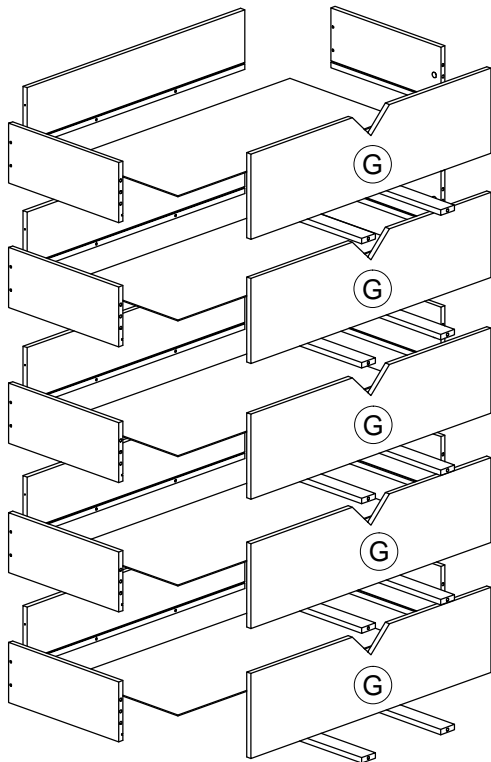


# Assembly Instruction

Model : WI8104




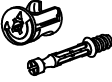




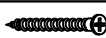


## Part List

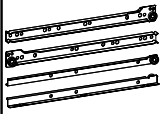











# Assembly Instruction

## Hardware List

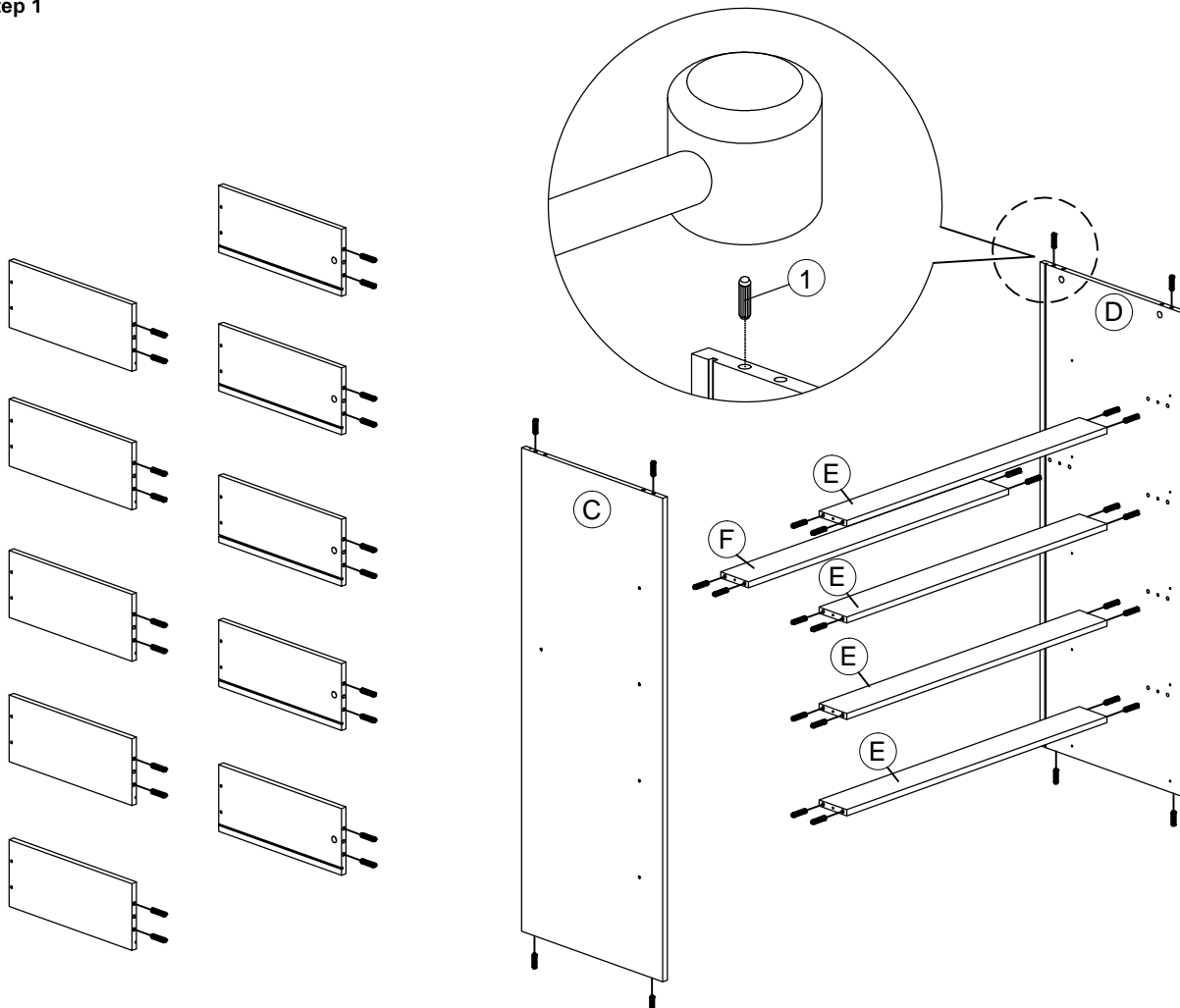
No.	SHAPE	DESCRIPTION	Qty.
1		<b>8x25mm Wood Dowel</b>	48Pcs
2		<b>15MM Myfix Minifix</b>	24Sets
3		<b>M3x16mm Screw</b>	4Pcs
4		<b>M3.5x15mm Screw</b>	61Pcs
5		<b>M5x8mm Screw (Euro Screw)</b>	20Pcs
6		<b>M4x38mm Screw</b>	30Pcs
7		<b>M5x38mm Screw</b>	14Pcs
8		<b>15mm Minifix Cap</b>	10Pcs
9		<b>Z Bracket (Big)</b>	2Pcs

10		<b>Metal Drawer Slide 12" (300mm)</b>	5 Sets
11		<b>OS-V Handle</b>	5 Pcs
12		<b>OS-140mm Long Tapper Leg</b>	4 Pcs

### Packing Tipping Restraint

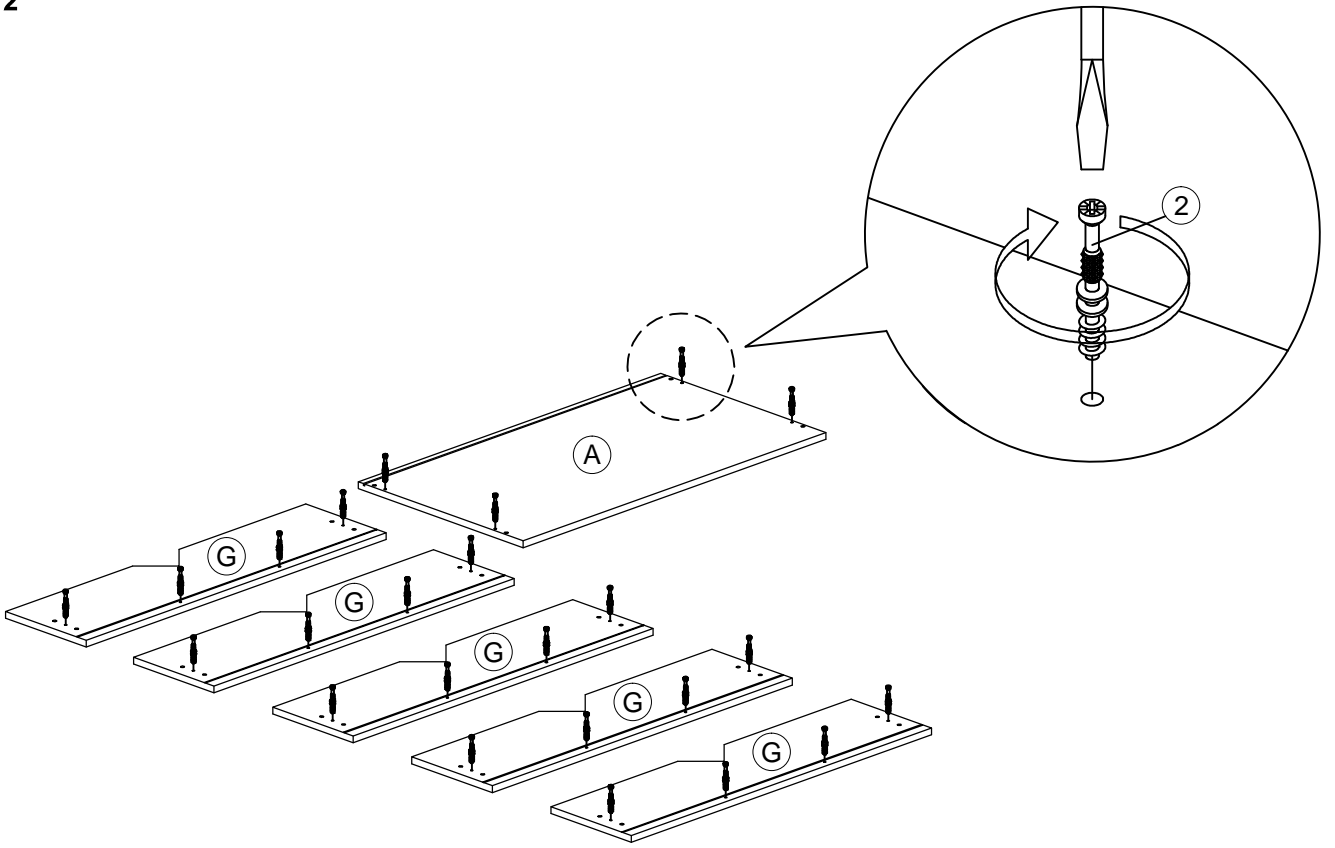
13		<b>M3.5x15mm Screw</b>	2Pcs
14		<b>Wall Plug</b>	2Pcs
15		<b>M4x30mm Screw</b>	2Pcs
16		<b>Safety Strap</b>	2Pcs
17		<b>Flat Washer 6x19x2mm</b>	4Pcs

### Step 1

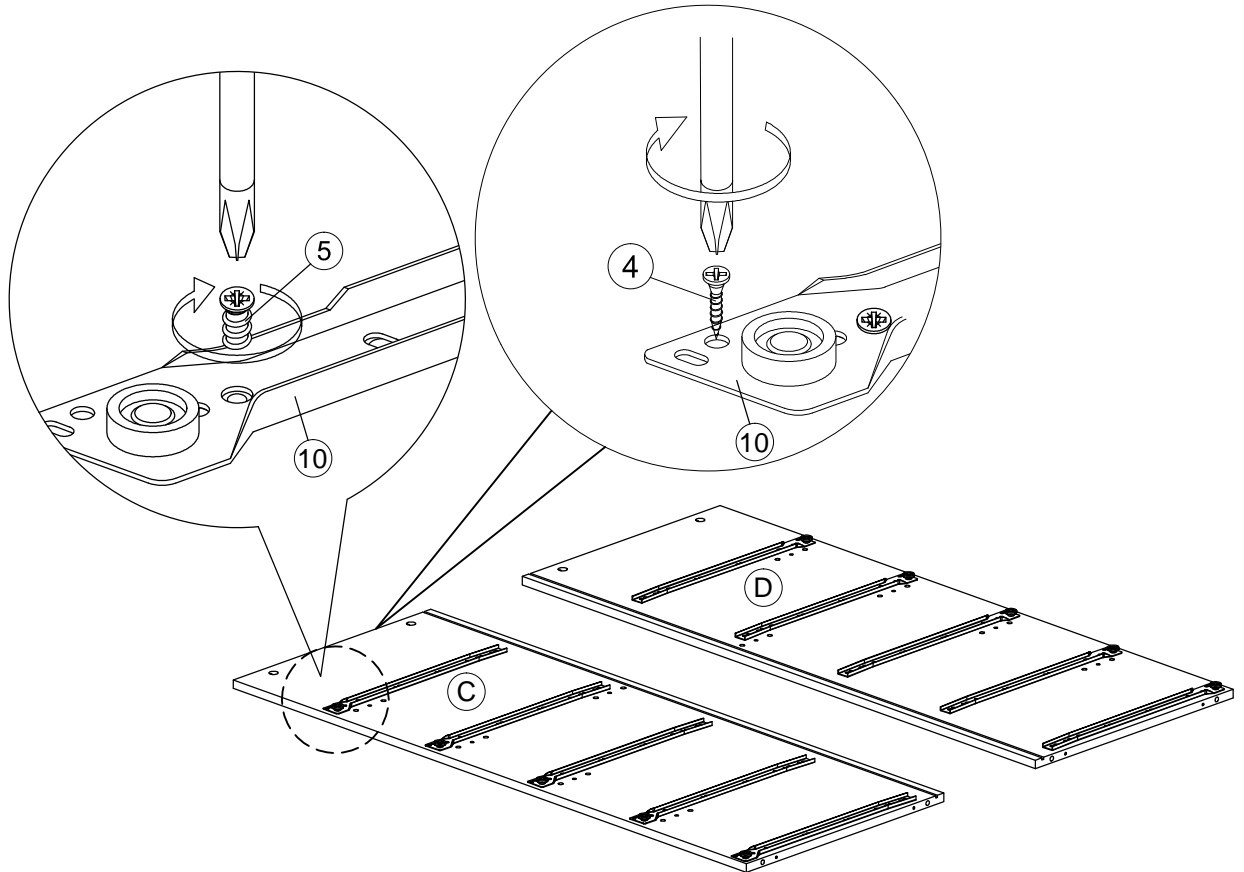


# Assembly Instruction

## Step 2

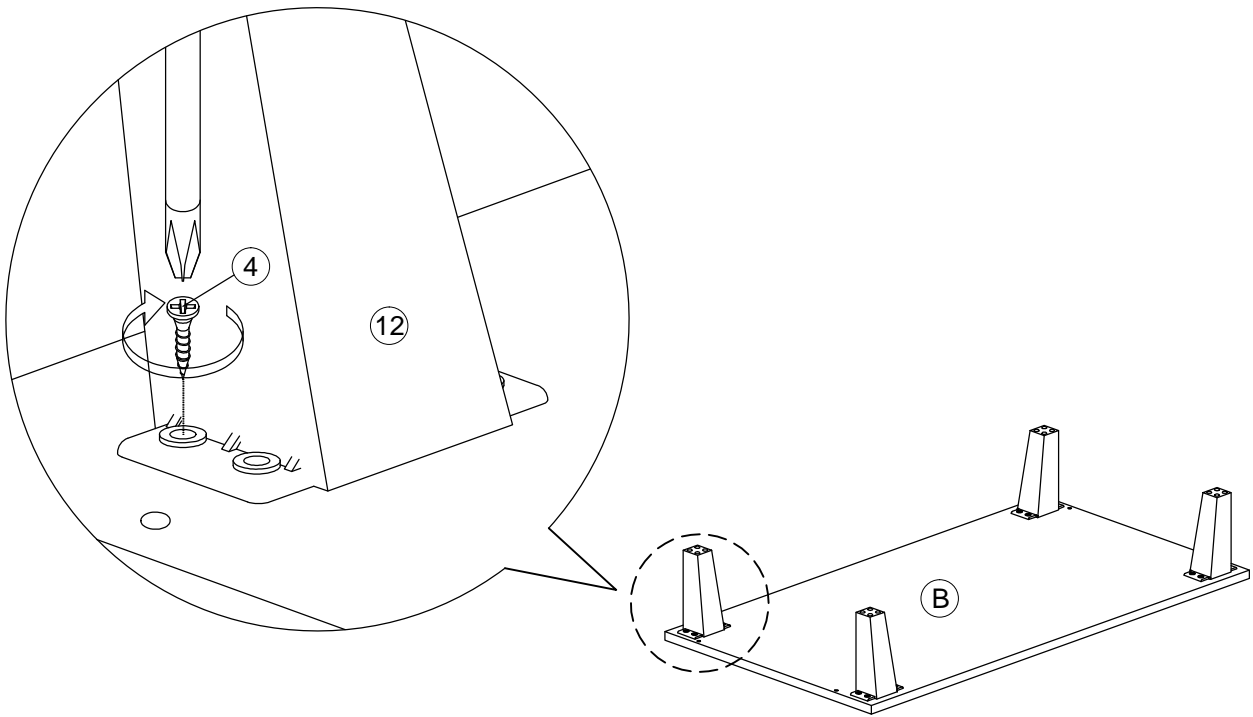


## Step 3

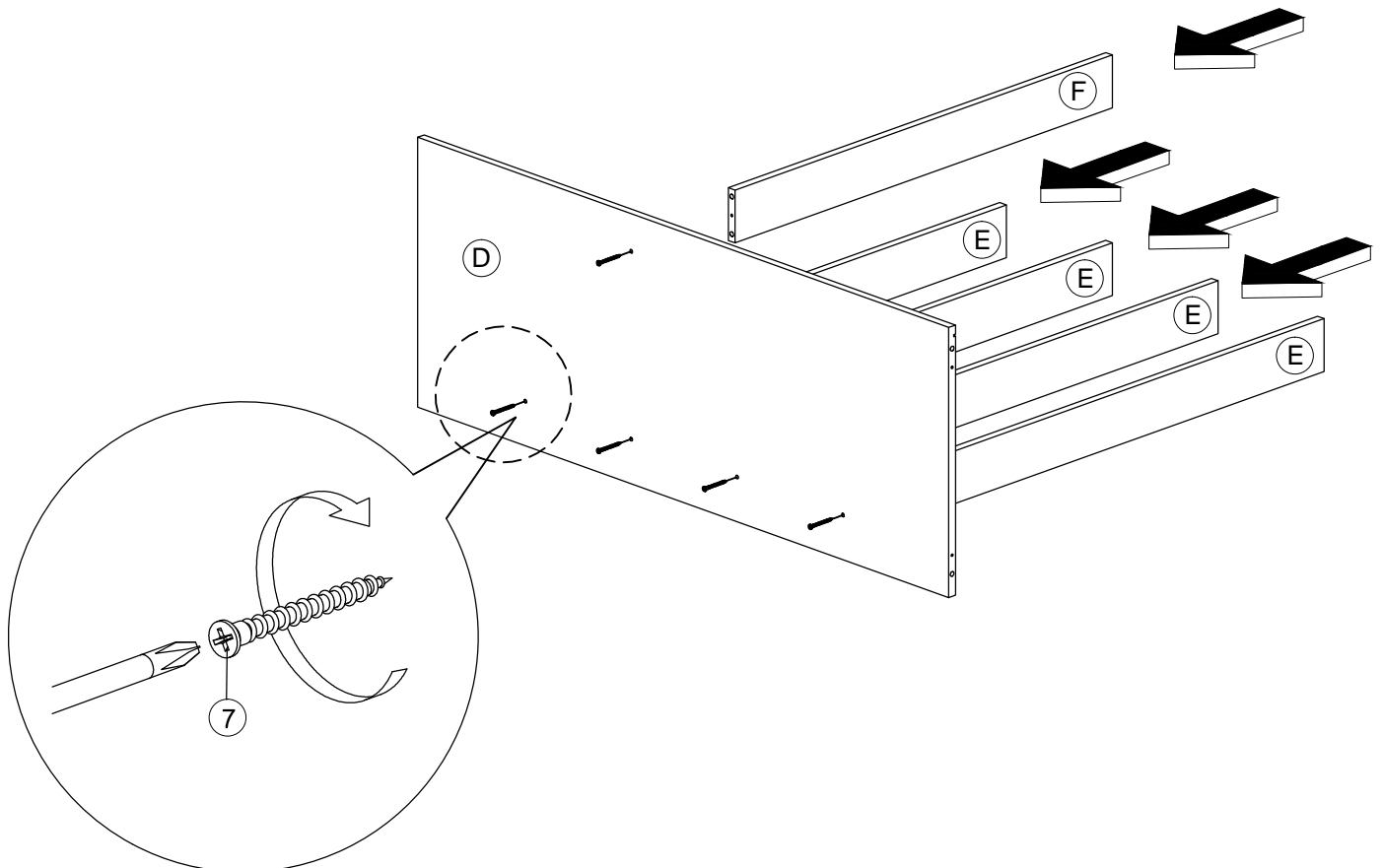


# Assembly Instruction

## Step 4

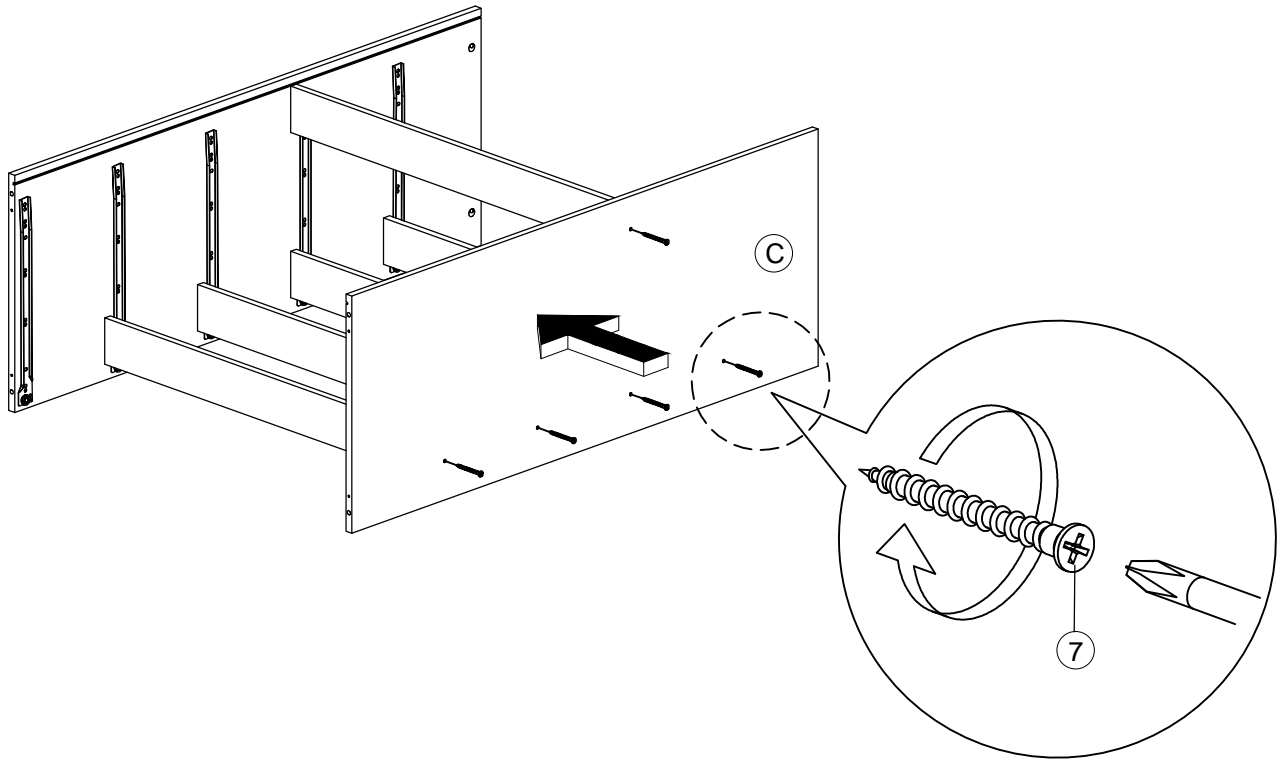


## Step 5

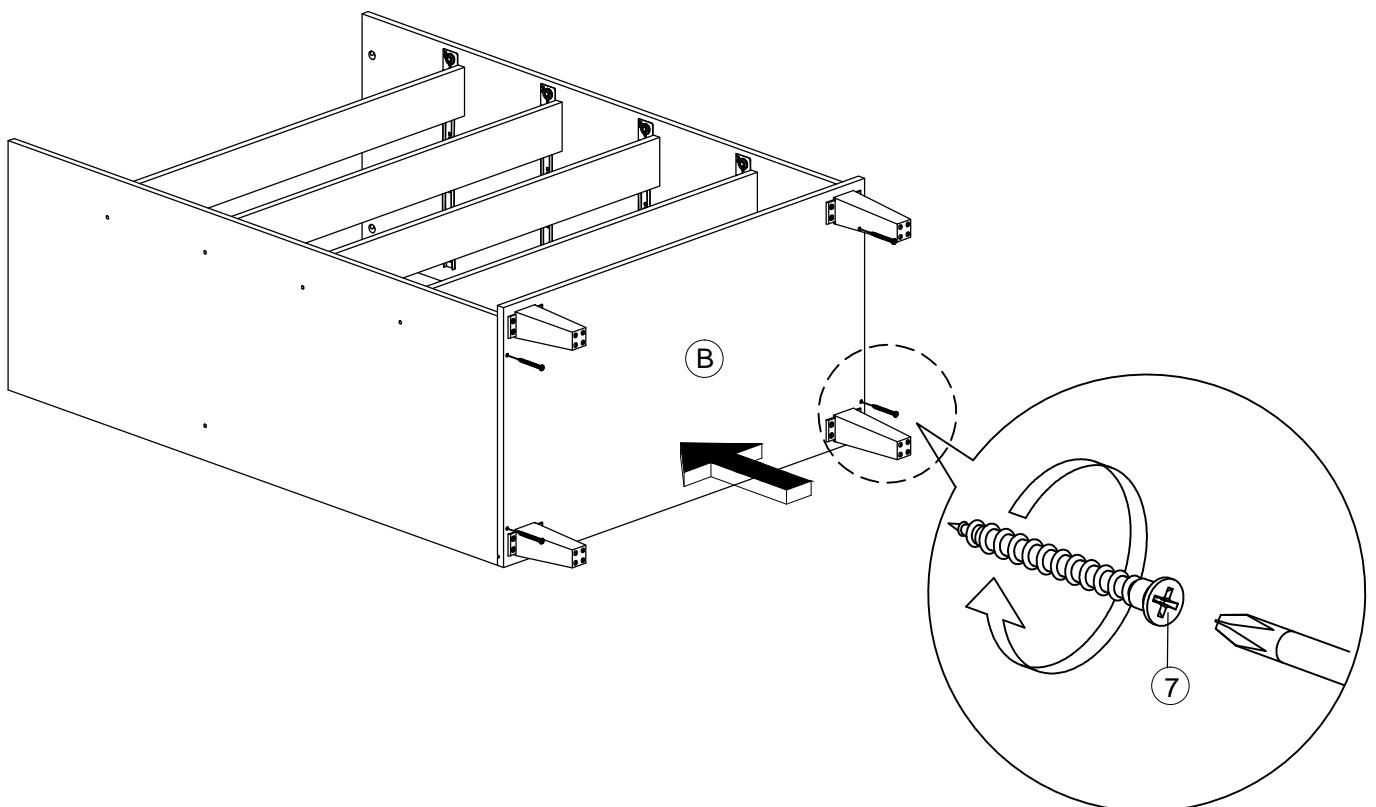


# Assembly Instruction

## Step 6

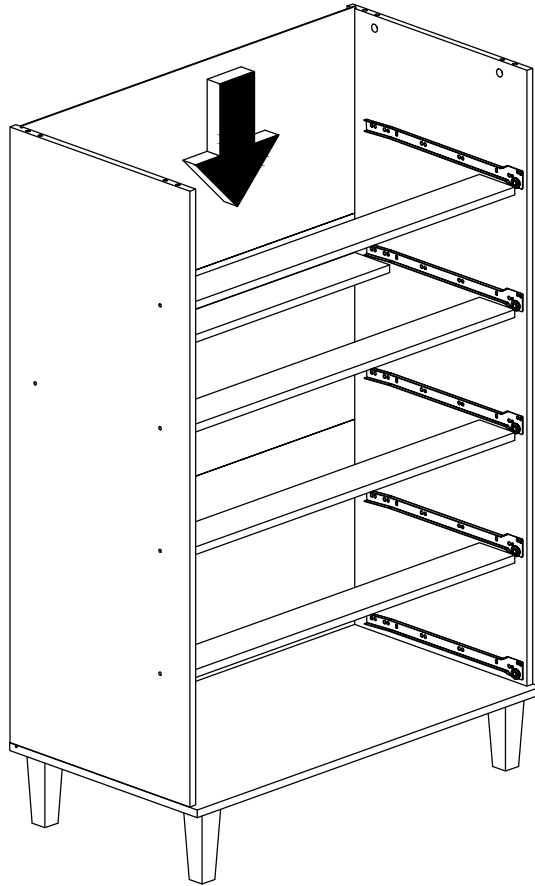


## Step 7

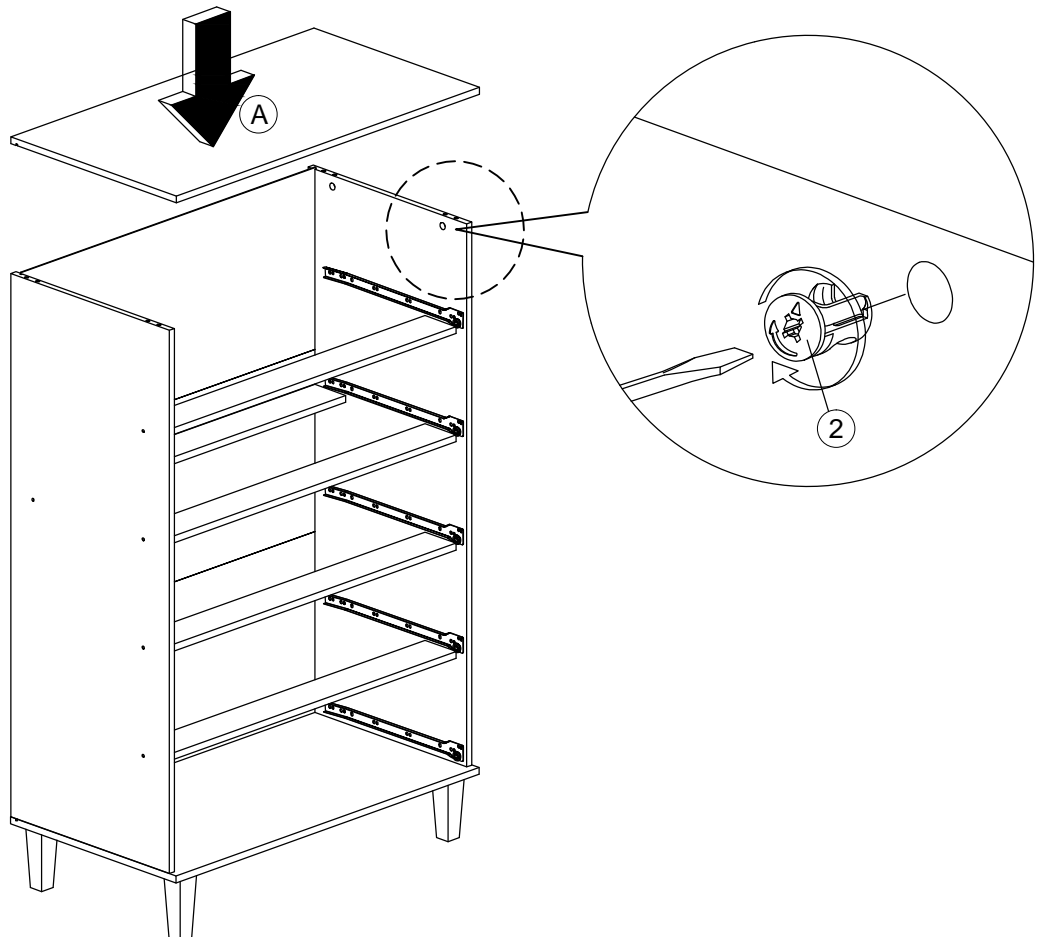


# Assembly Instruction

Step 8

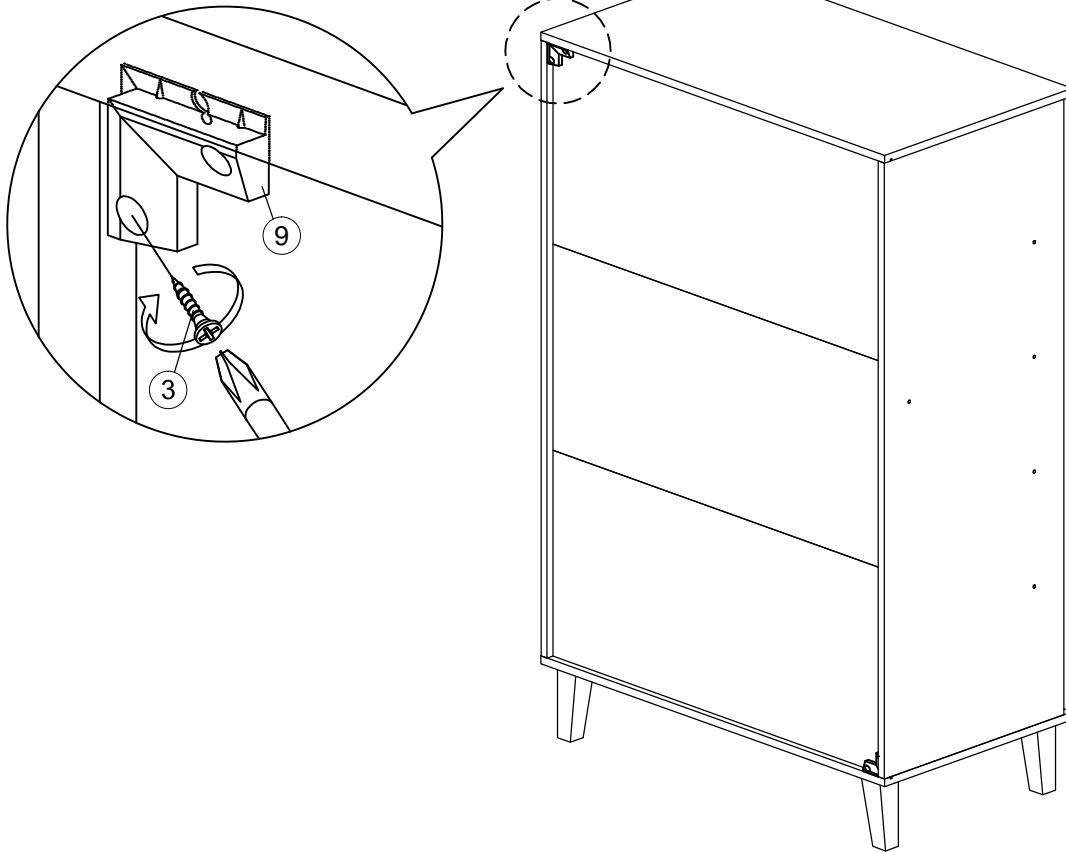


Step 9

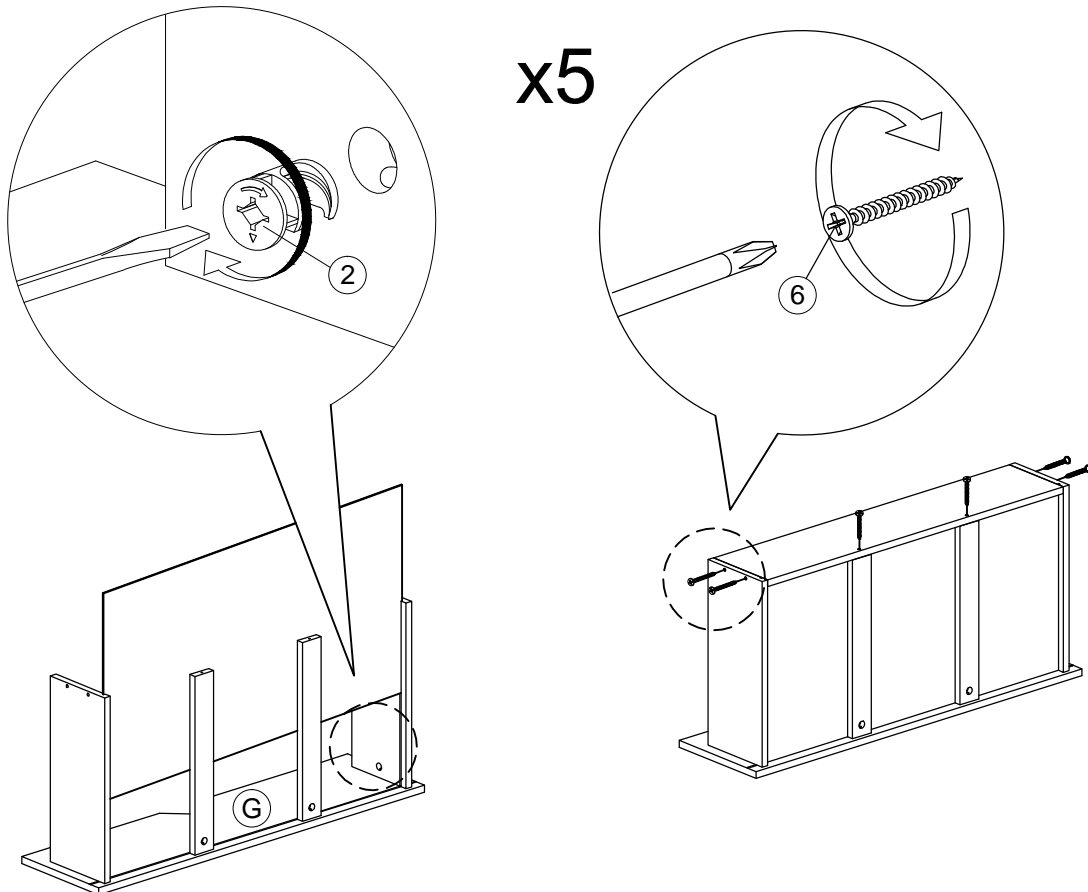


# Assembly Instruction

## Step 10

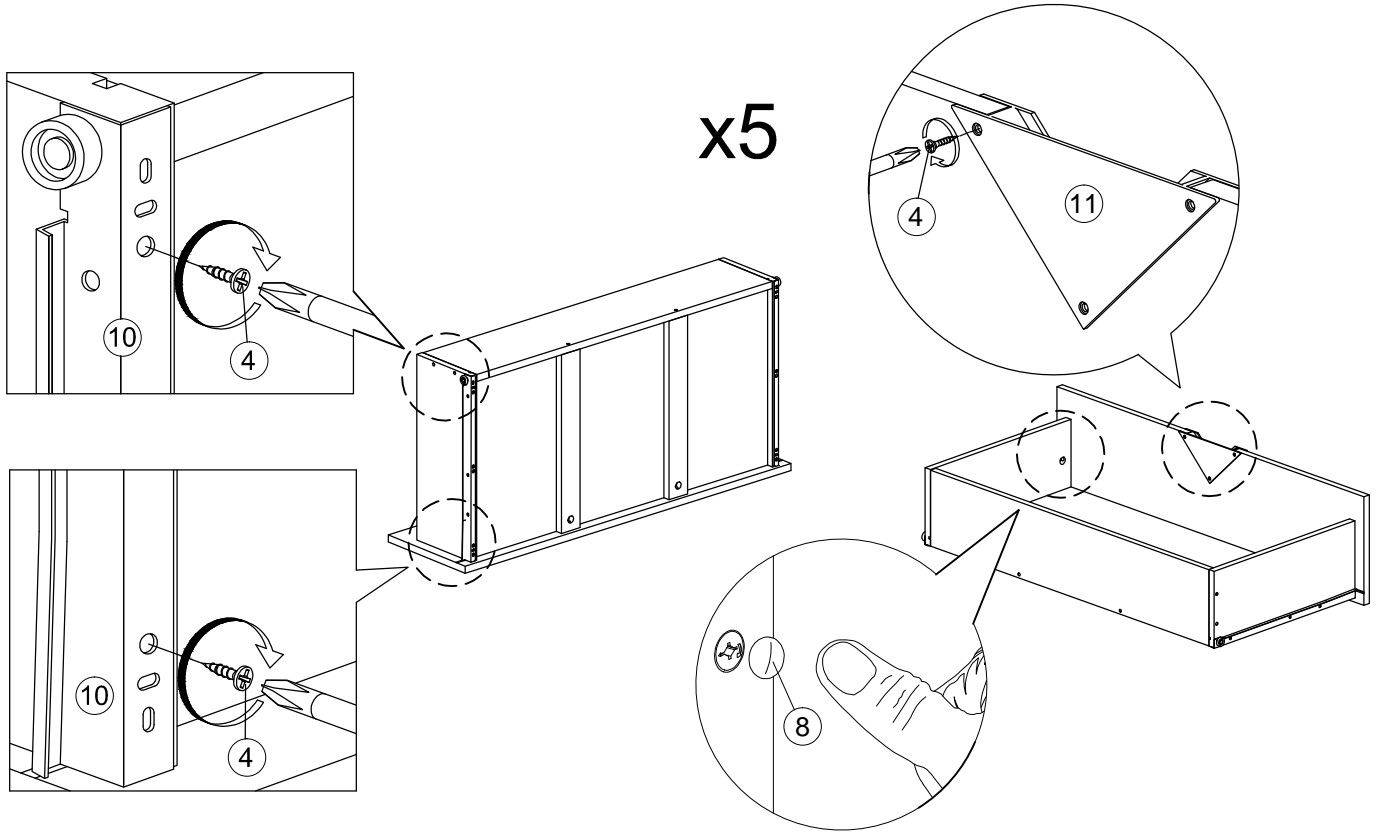


## Step 11

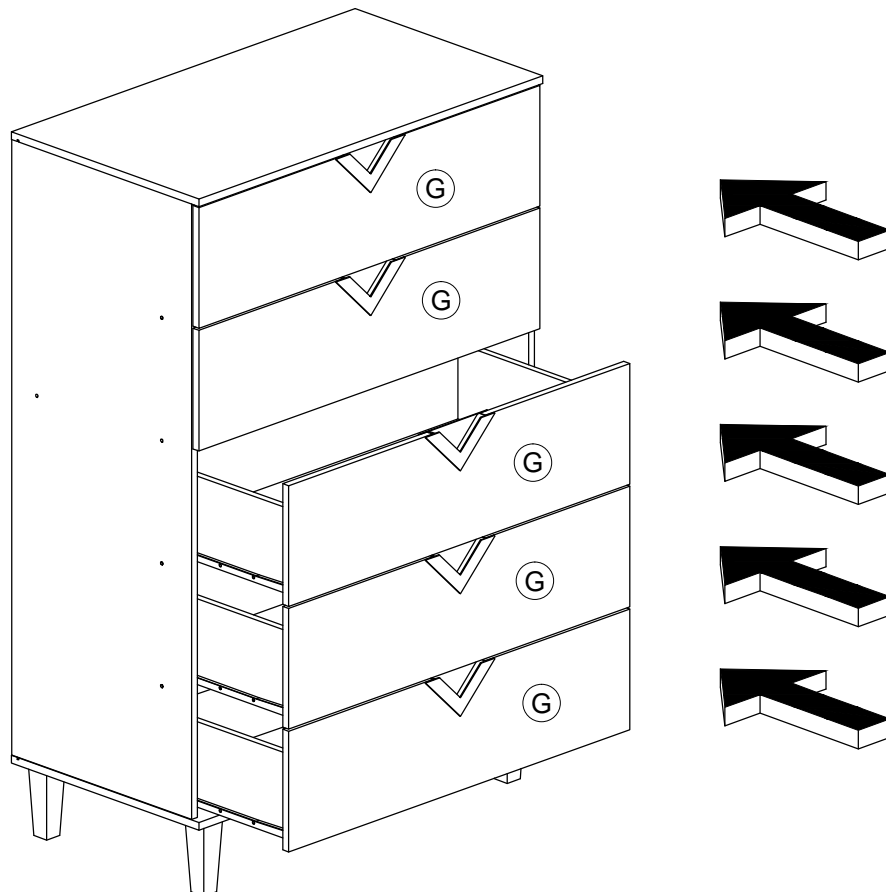


# Assembly Instruction

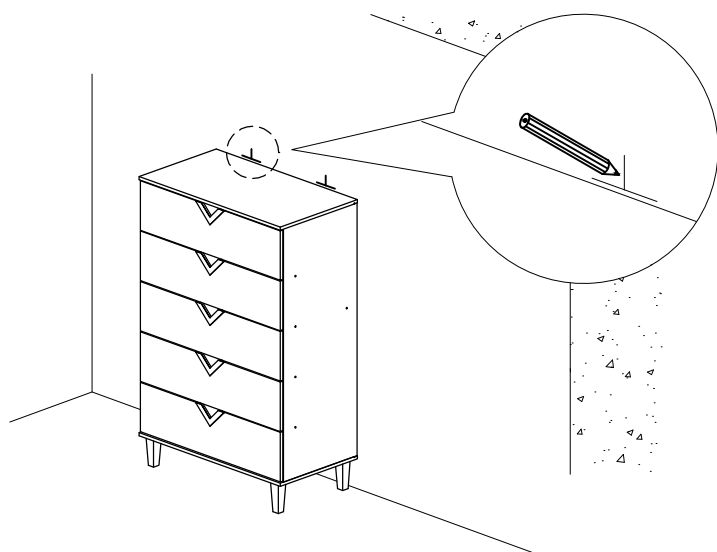
## Step 12



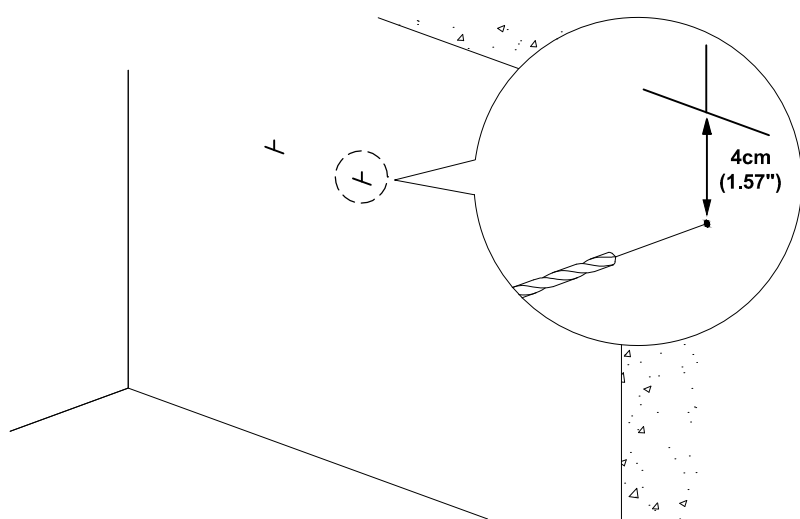
## Step 13



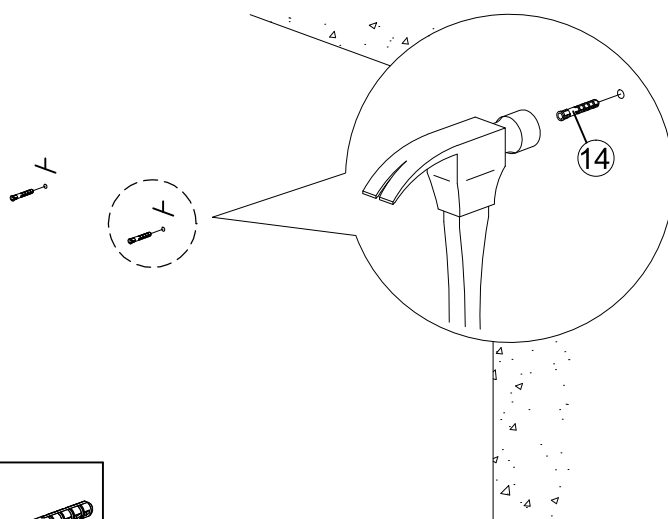
# FURNITURE TIPPING RESTRAINT



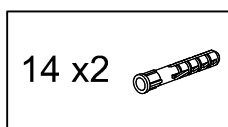
**1. First mark the wall with pencil as in diagram.**



**2. Drill small hole at the pencil mark.**

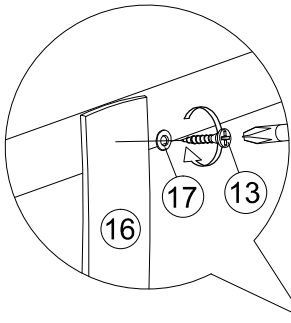


**3. Insert plastic wall plug (14).**

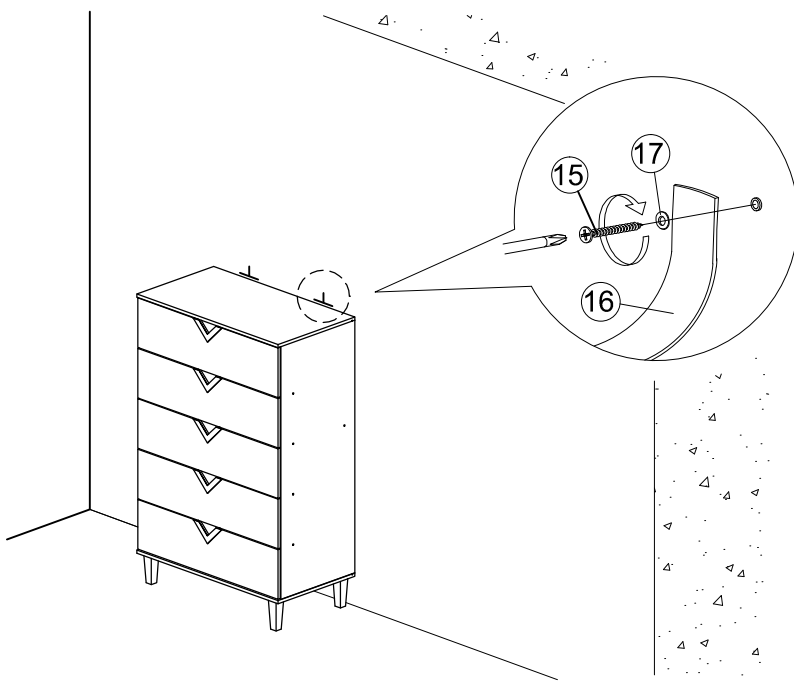
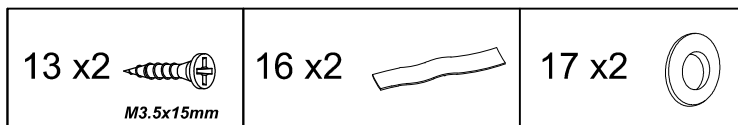
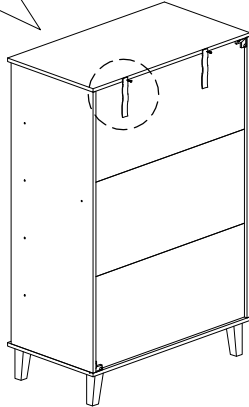




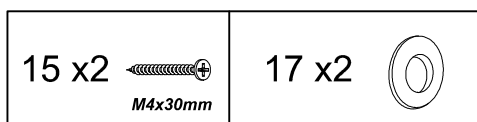
# FURNITURE TIPPING RESTRAINT

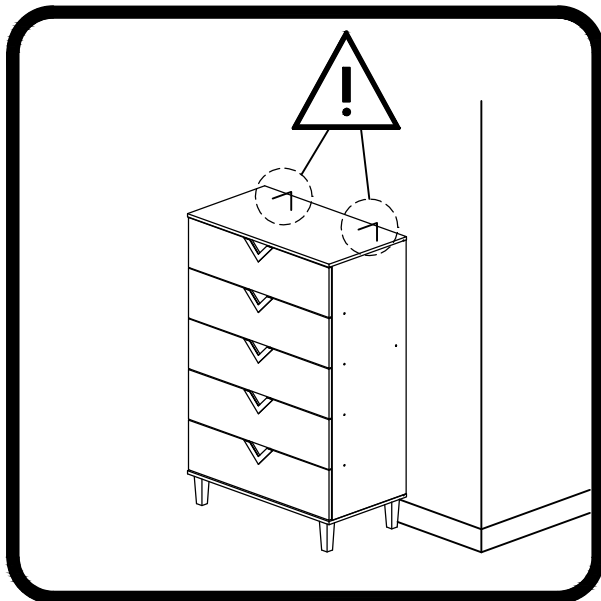


4. Add safety strap (16), washer (17) using 3.5x15mm screw (13) to back of cabinet.



5. Finally, attach safety strap (16) and washer (17) using 4x30mm screw (15) to the wall.





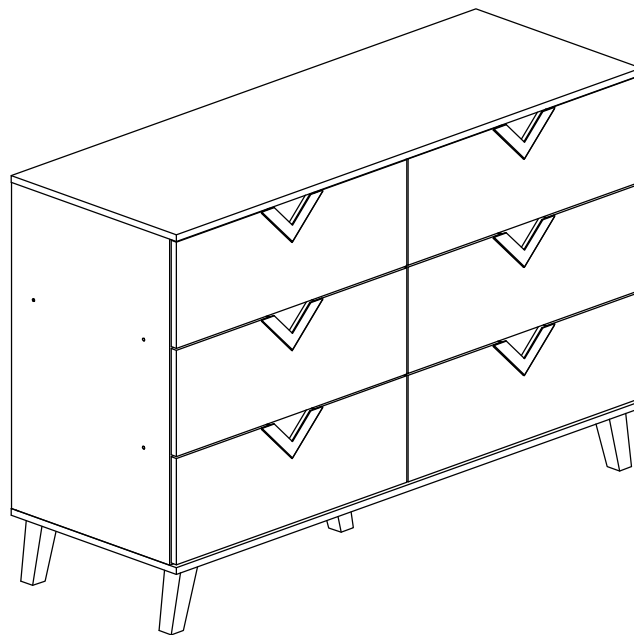
<b>⚠ WARNING</b>	
	<p>Children have died from furniture tipover. To reduce the risk of furniture tipover:</p> <ul style="list-style-type: none"><li>• ALWAYS install tipover restraint provided.</li><li>• NEVER put a TV on this product.</li><li>• NEVER allow children to stand, climb or hang on drawers, doors, or shelves.</li><li>• NEVER open more than one drawer at a time.</li><li>• Place heaviest items in the lowest drawers.</li></ul> <p><i>This is a permanent label. Do not remove!</i></p>
	



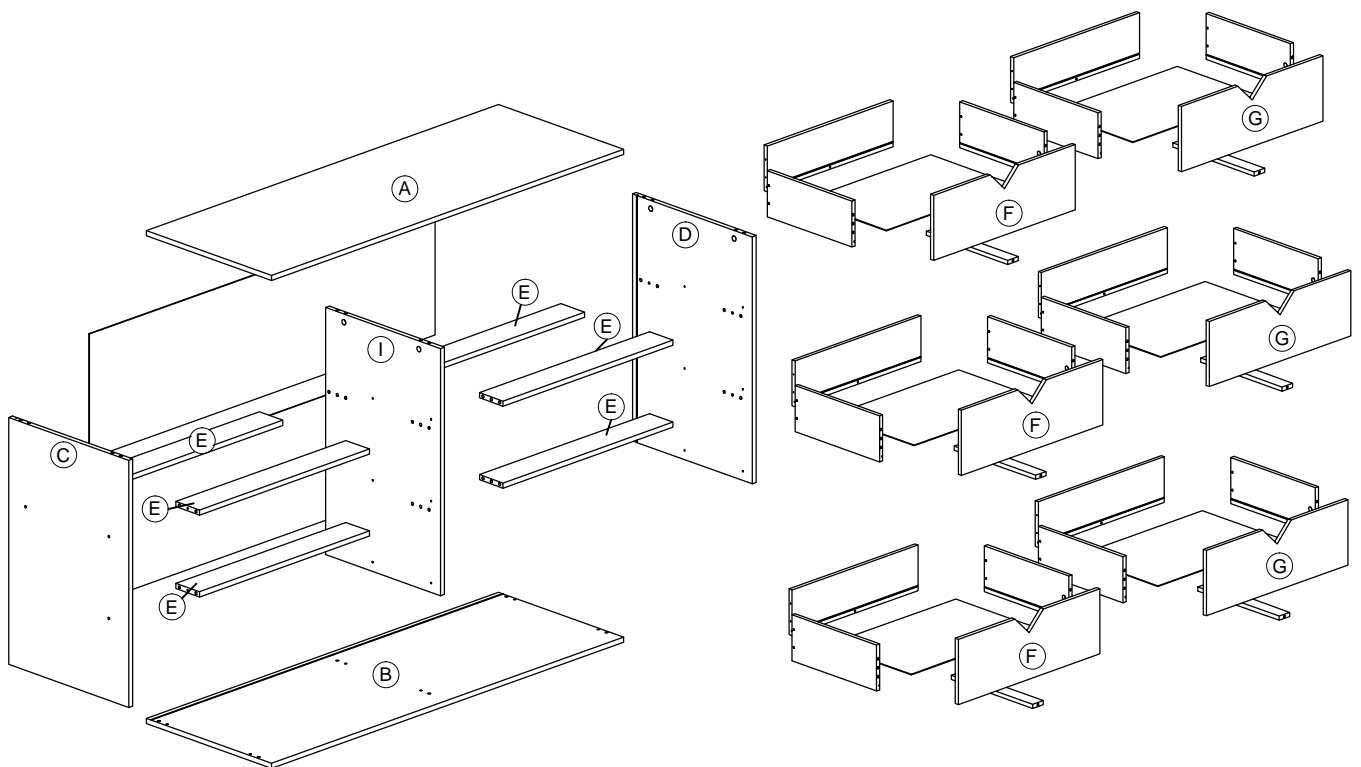
**Anti-Topple hardware included for added safety and stability**

# Assembly Instruction

Model : WI8105

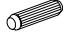
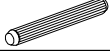











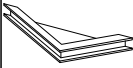


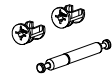
## Part List








# Assembly Instruction

## Hardware List

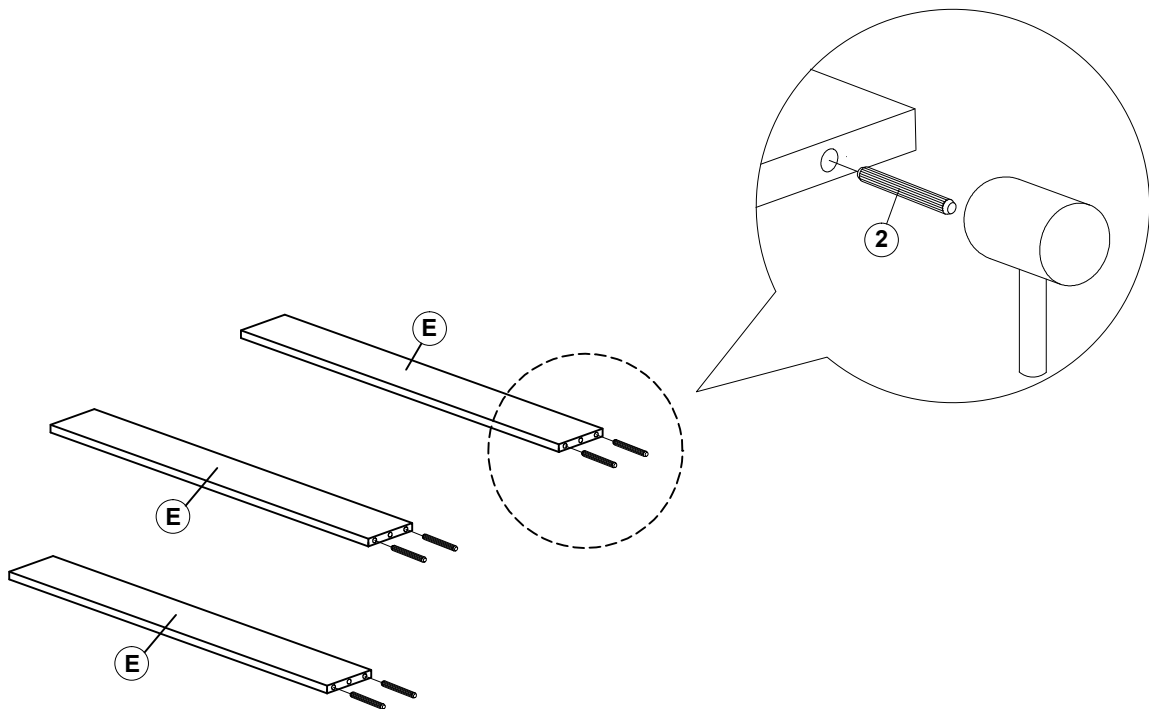
No.	SHAPE	DESCRIPTION	Qty.
1		8x25mm Wood Dowel	48Pcs
2		8x50mm Wood Dowel	6Pcs
3		15mm Myfix Minifix	24Pcs
4		M3x16mm Screw	4Pcs
5		M3.5x15mm Screw	74Pcs
6		M5x8mm Screw (Euro Screw)	24Pcs
7		M4x38mm Scw	30Pcs
8		M5x40mm Scw	12Pcs
9		15mm Minifix Cap	12Pcs
10		Z Bracket (Big)	2Pcs
11		Metal Drawer Slide 12" (300mm)	6Pcs

12		OS-V Handle	6Pcs
13		OS-140mm Long Tapper Leg	5Pcs
14		Nail	4Pcs
15		15MM (DOUBLE) 63mm Myfix Minifix	3Pcs

## Packing Tipping Restraint

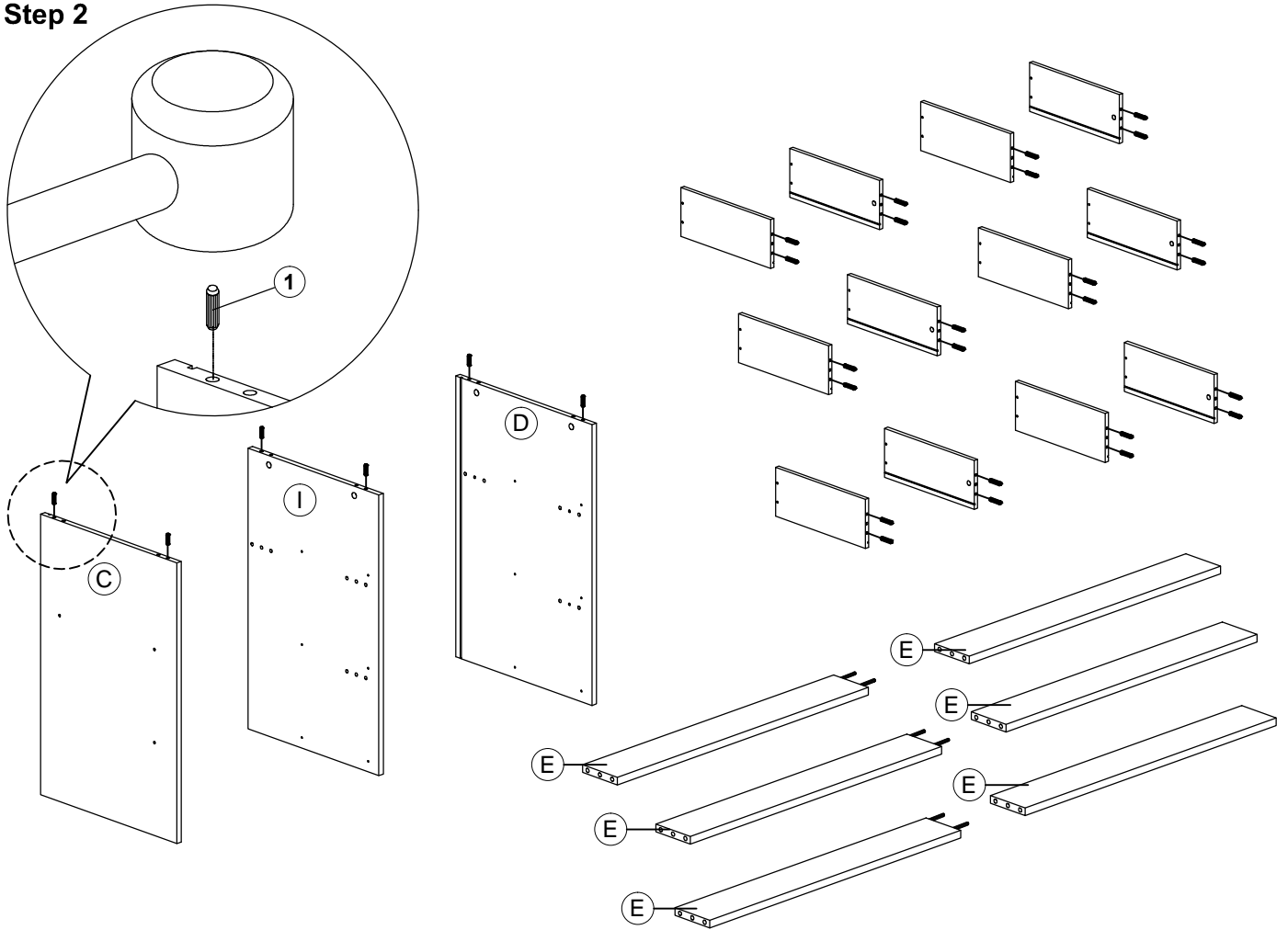
16		M3.5x15mm Screw	2Pcs
17		Wall Plug	2Pcs
18		M4x30mm Screw	2Pcs
19		Safety Strap	2Pcs
20		Flat Washer 6x19x2mm	4Pcs

## Step 1

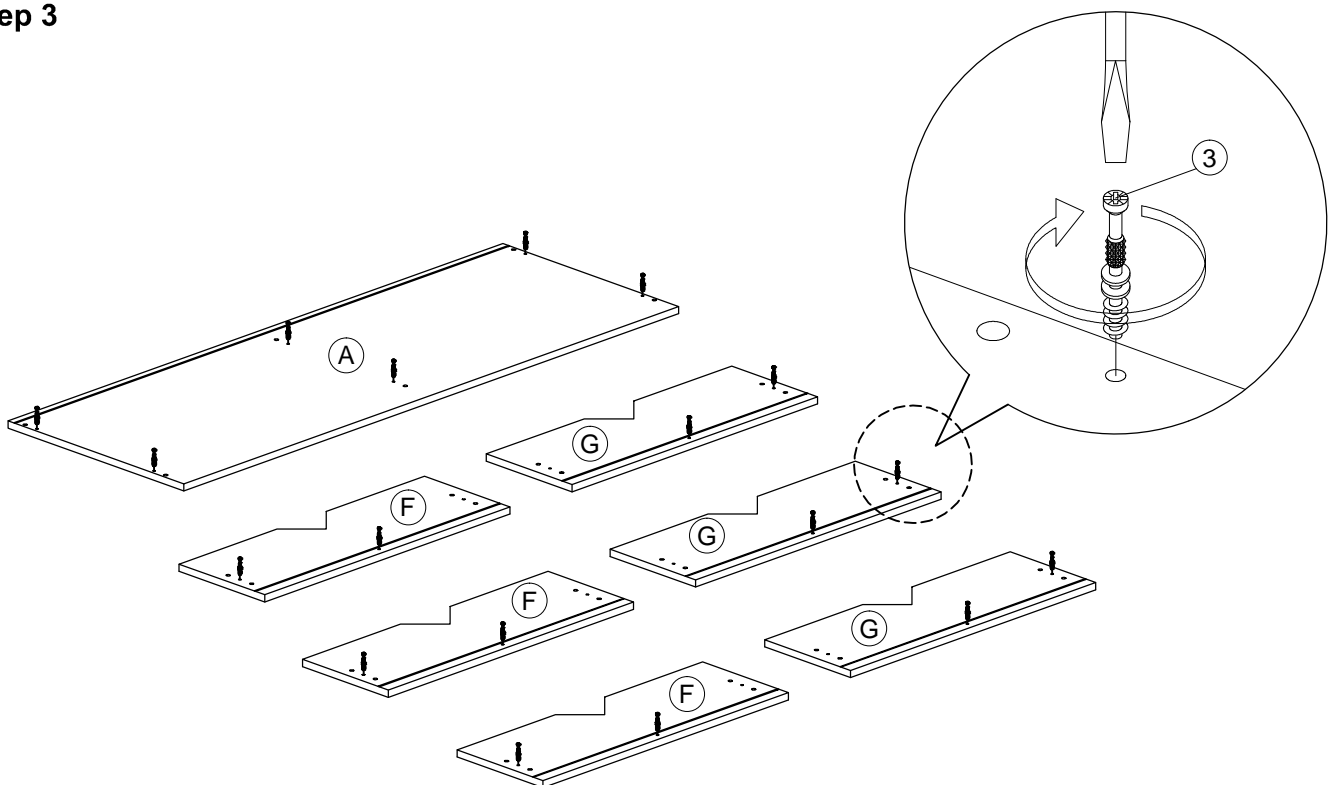


# Assembly Instruction

## Step 2

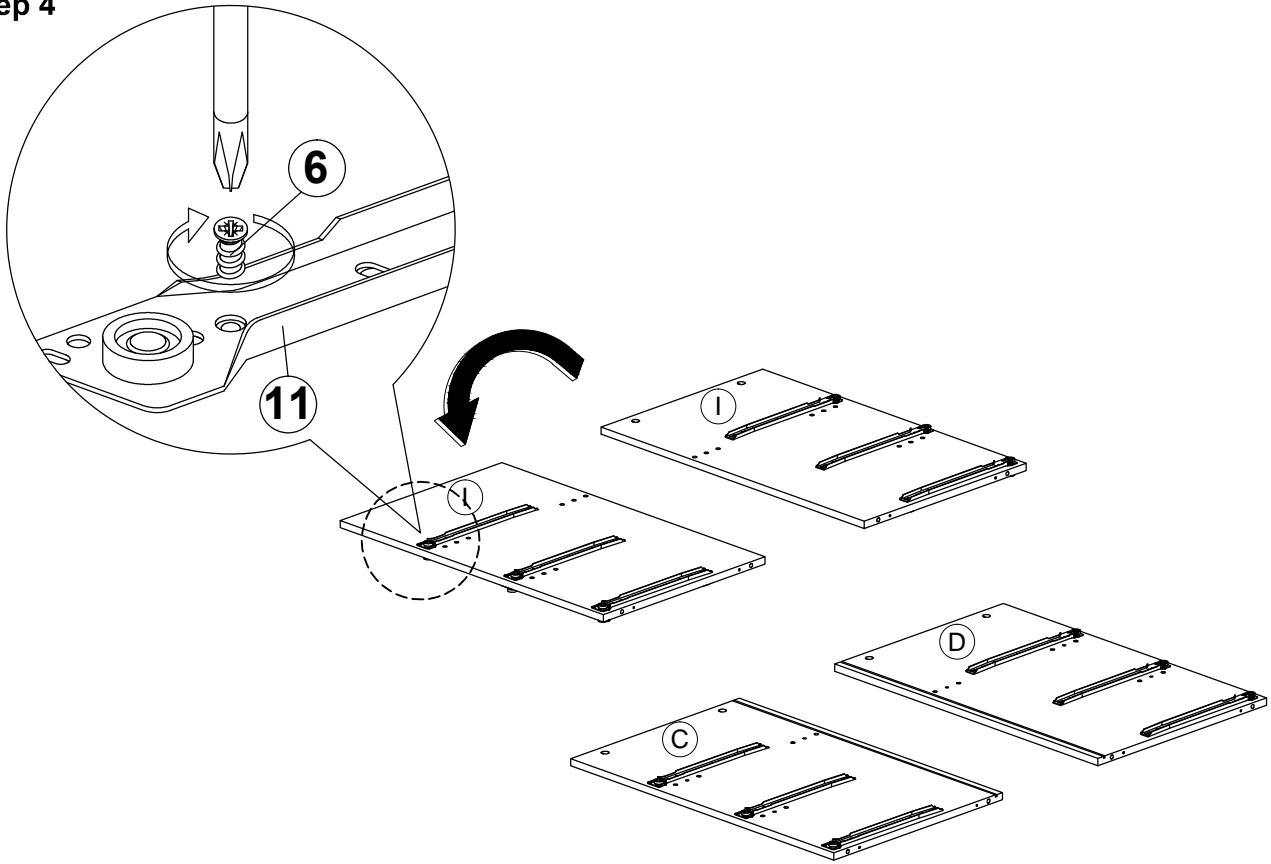


## Step 3

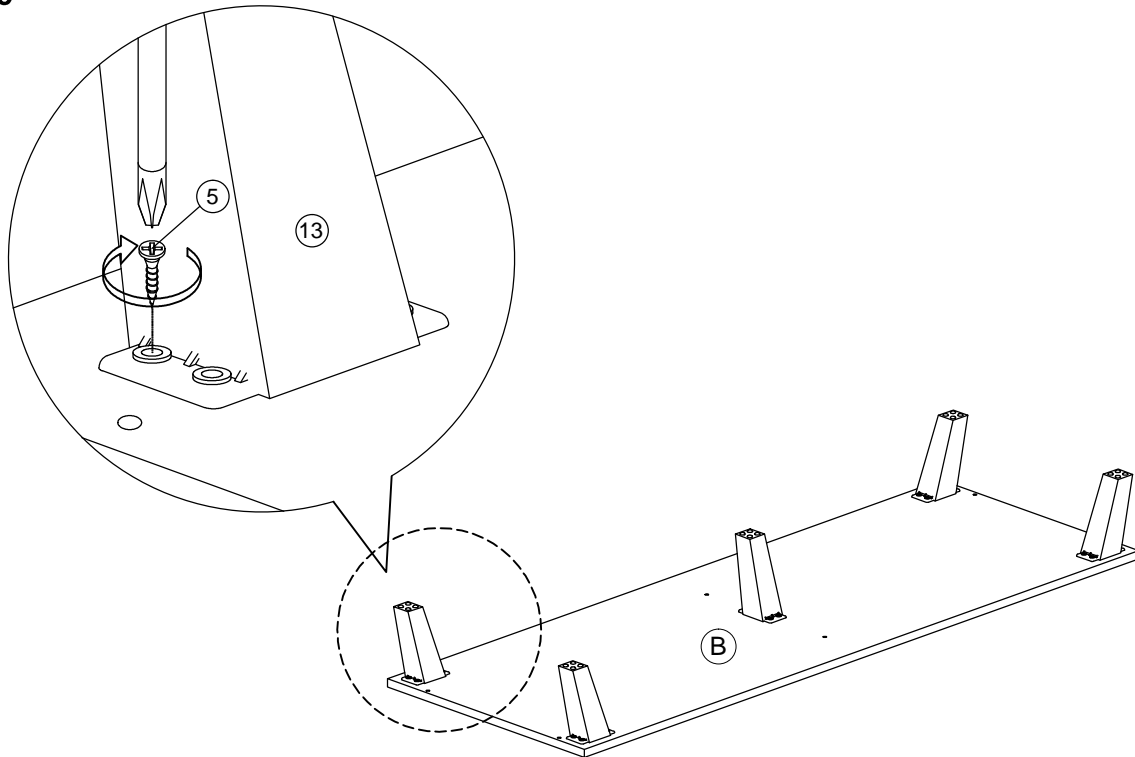


# Assembly Instruction

## Step 4

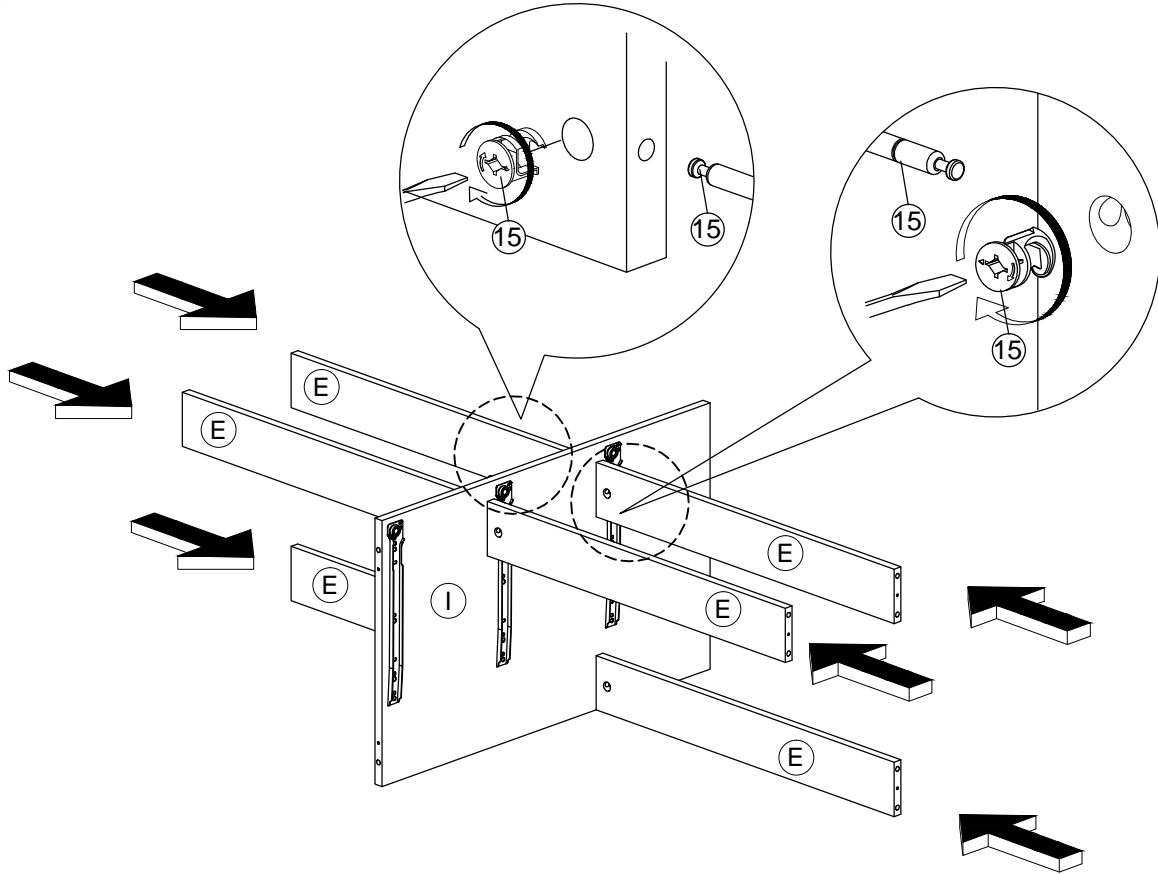


## Step 5

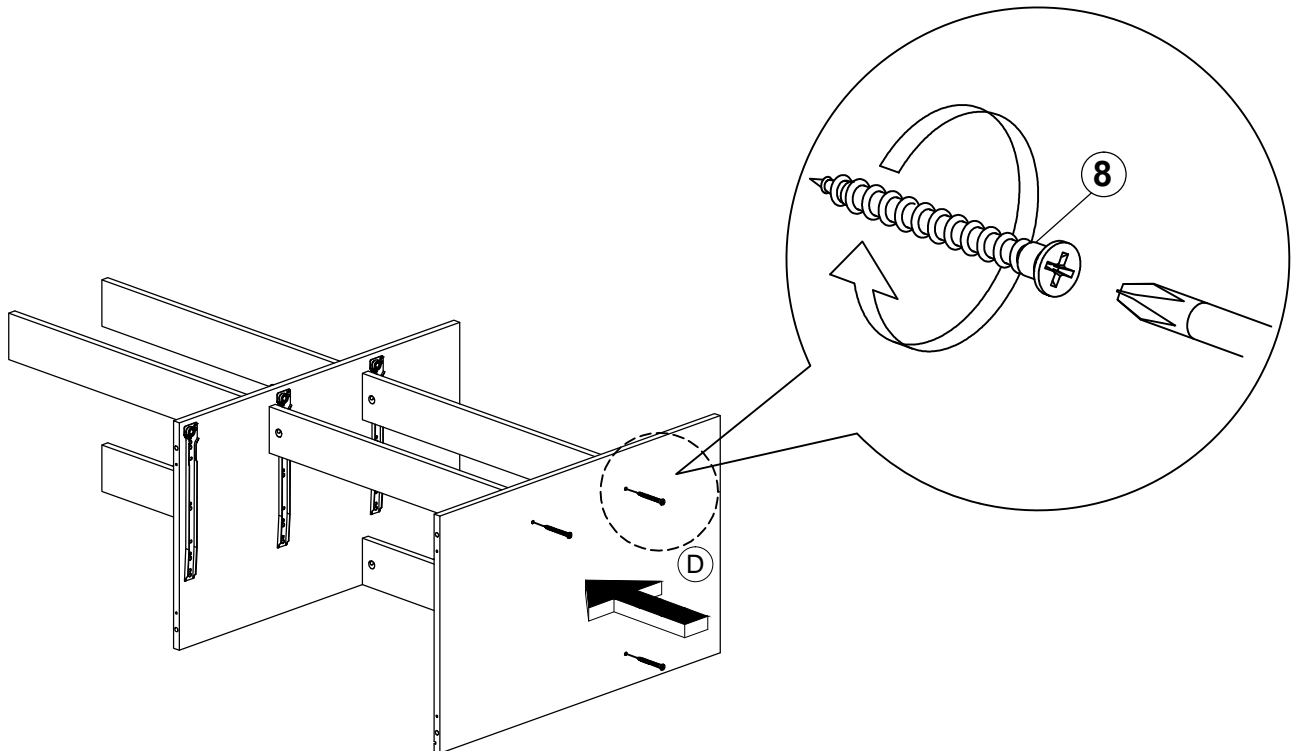


# Assembly Instruction

## Step 6

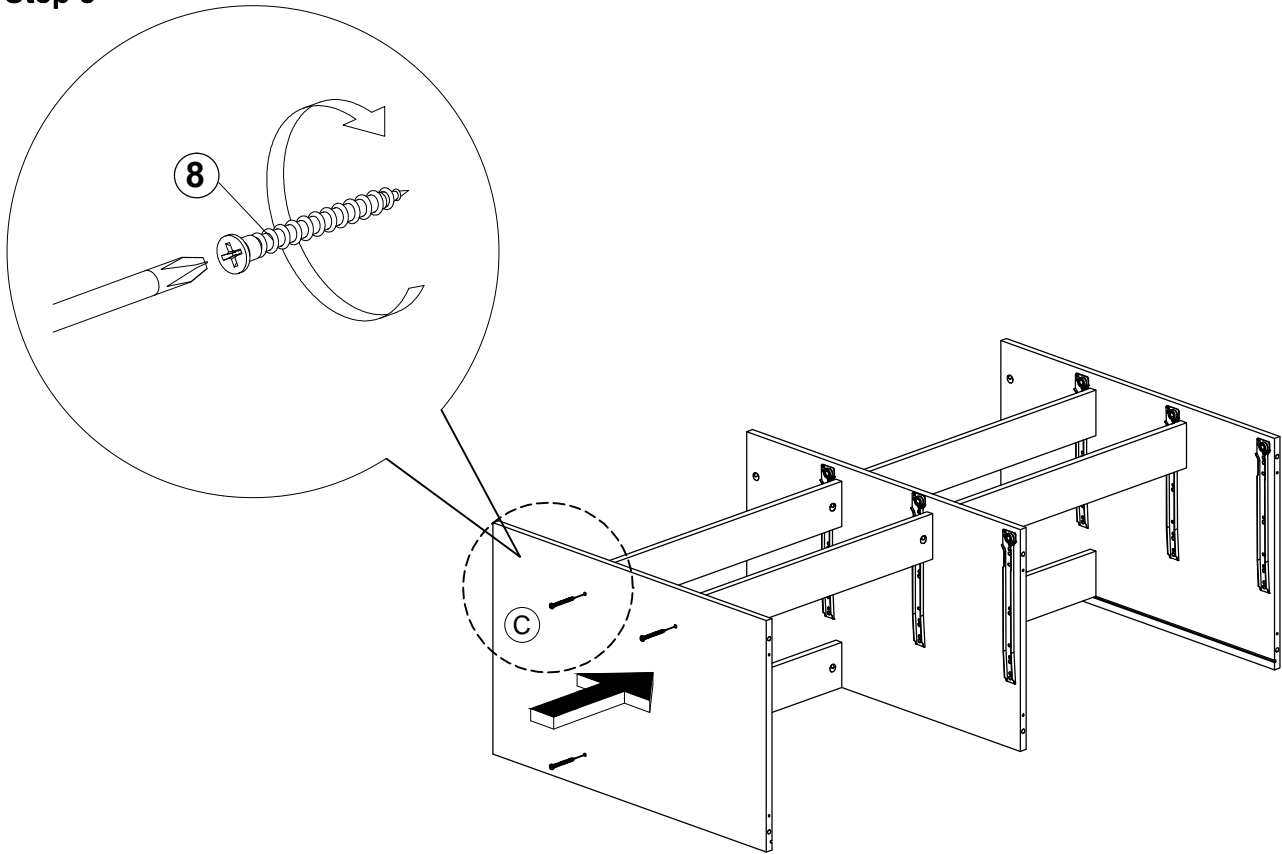


## Step 7

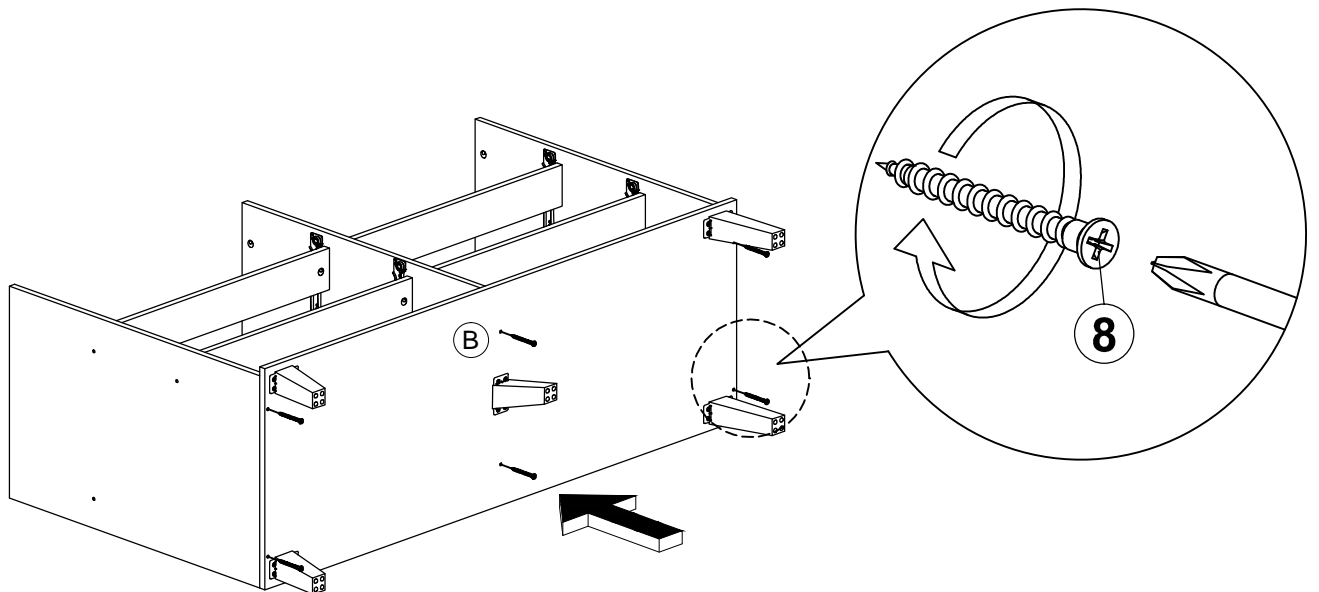


# Assembly Instruction

## Step 8



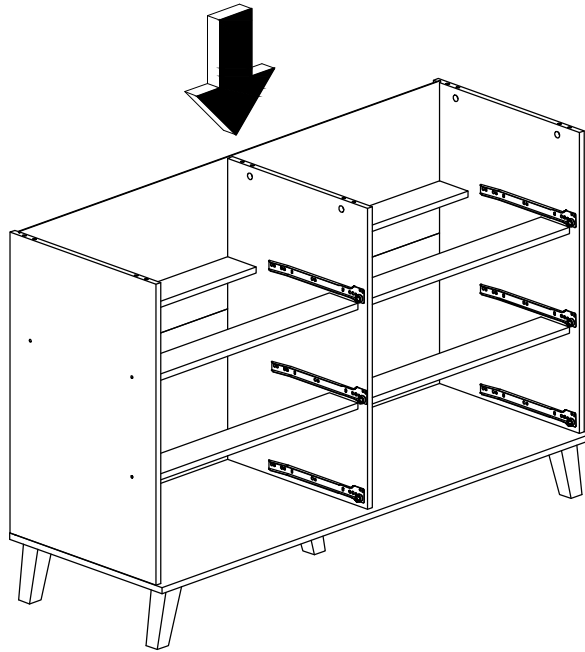
## Step 9



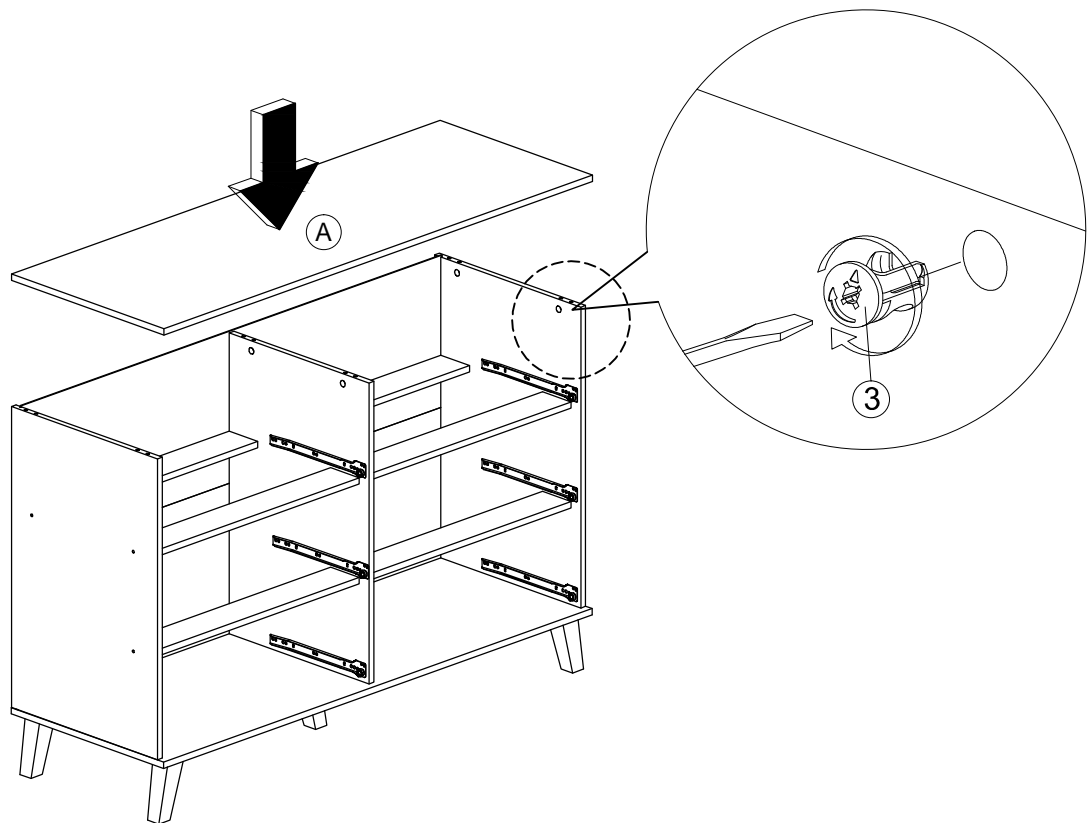


# Assembly Instruction

## Step 10

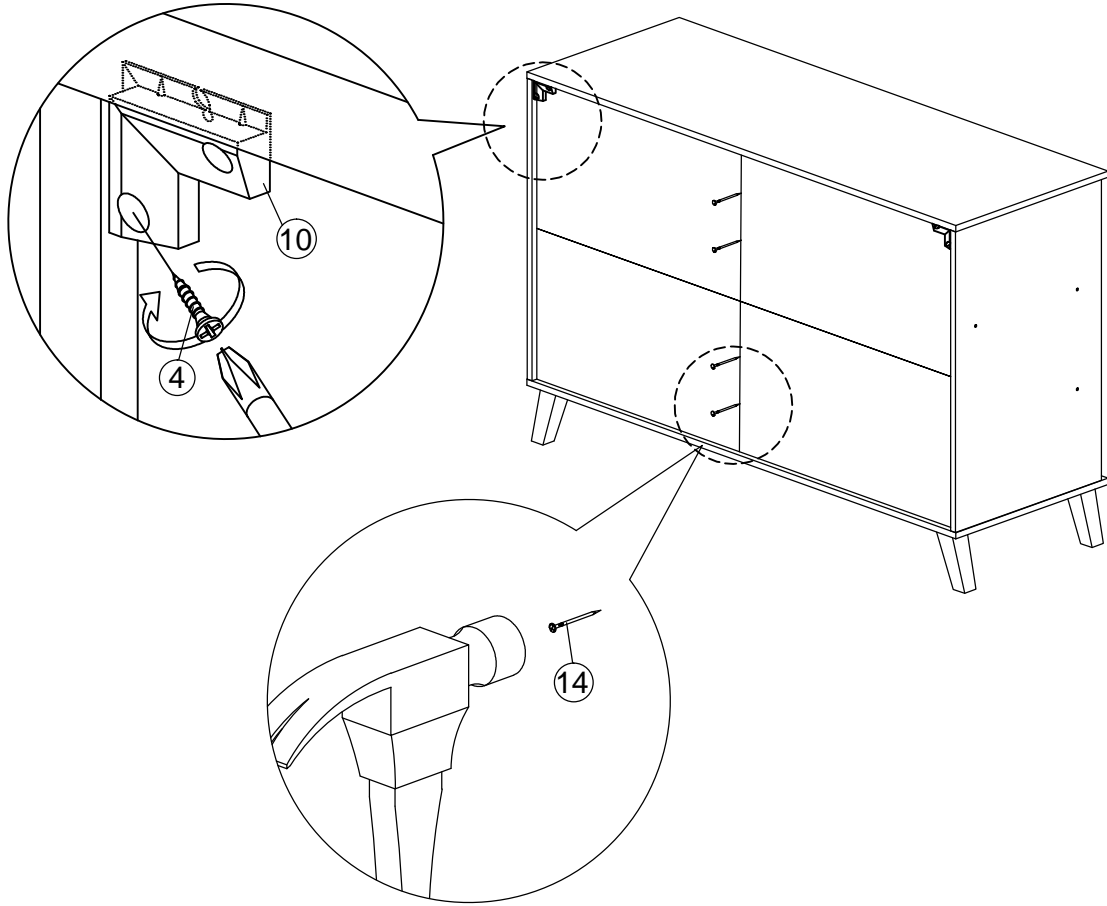


## Step 11

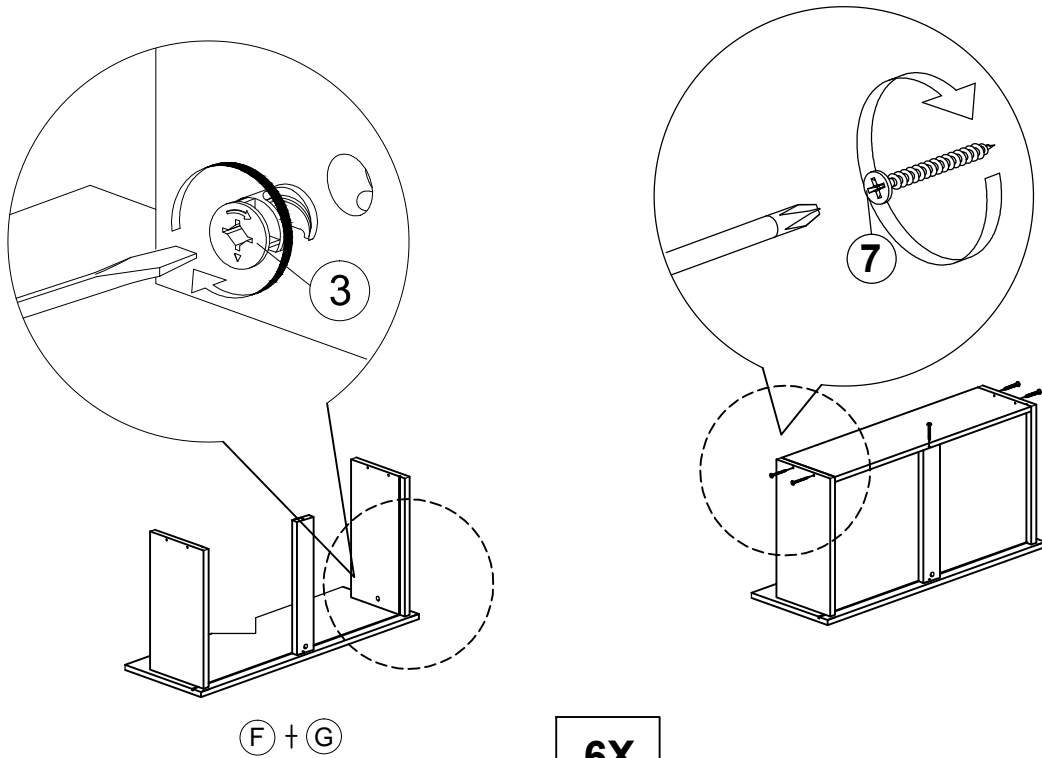


# Assembly Instruction

## Step 12

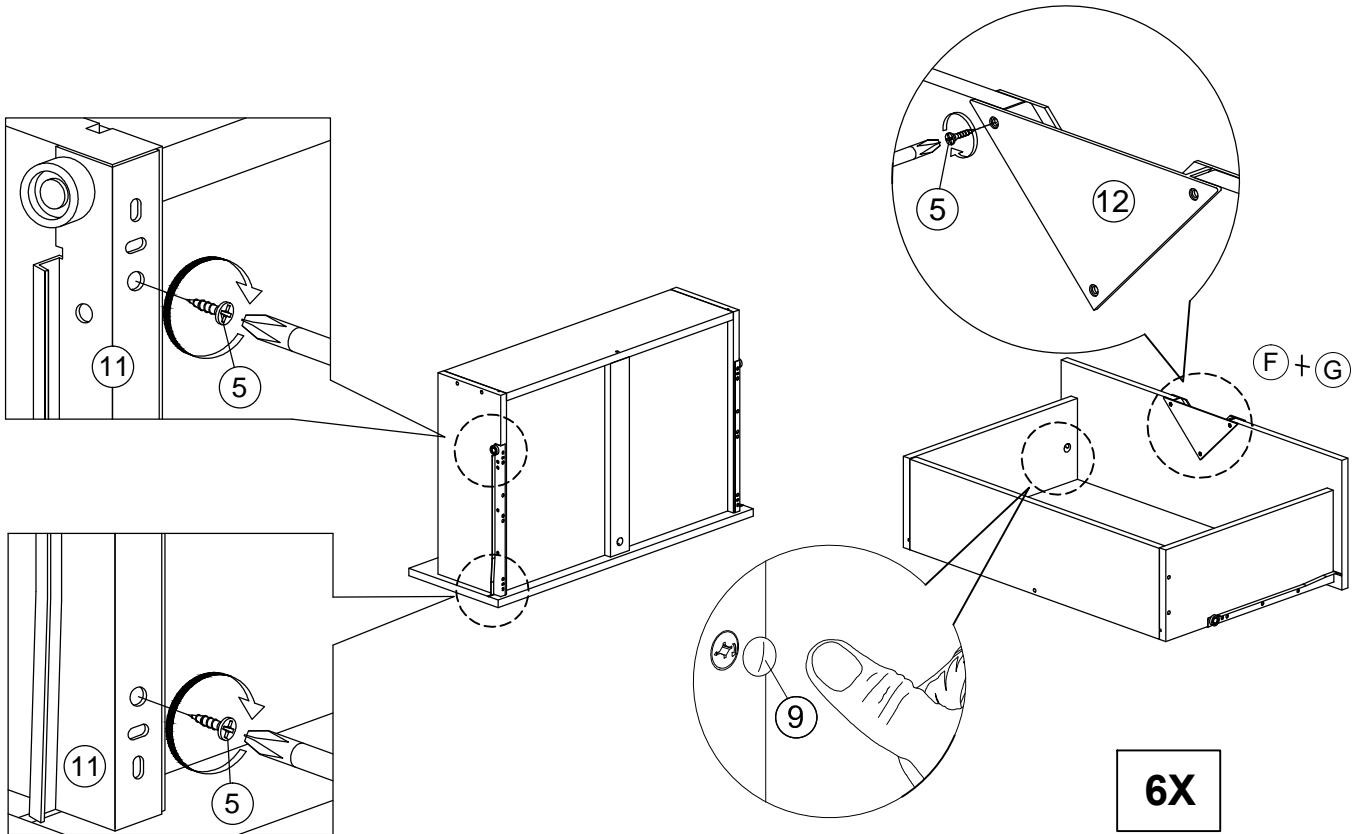


## Step 13

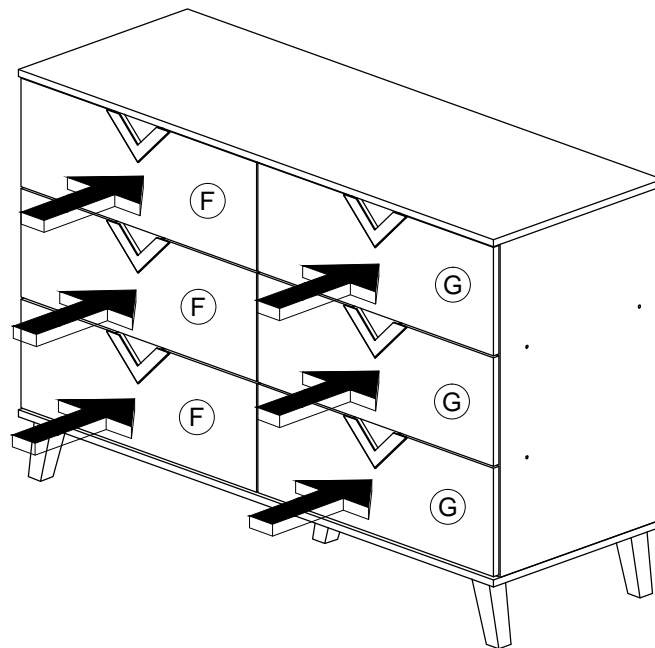


# Assembly Instruction

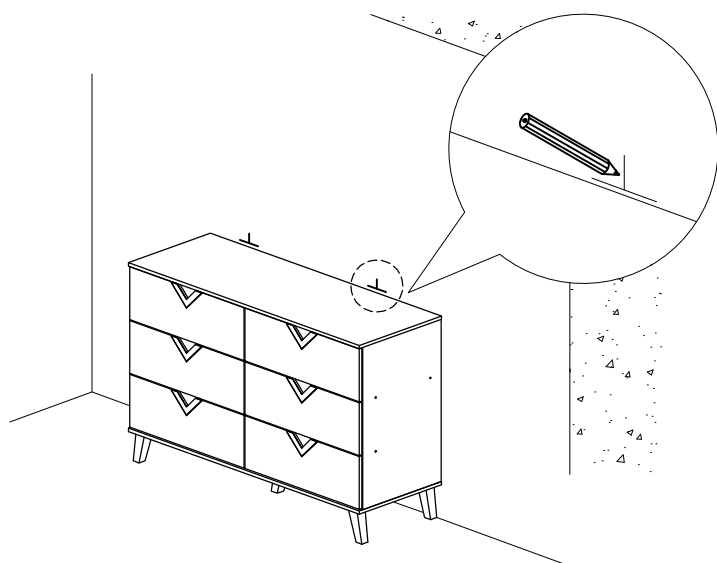
## Step 14



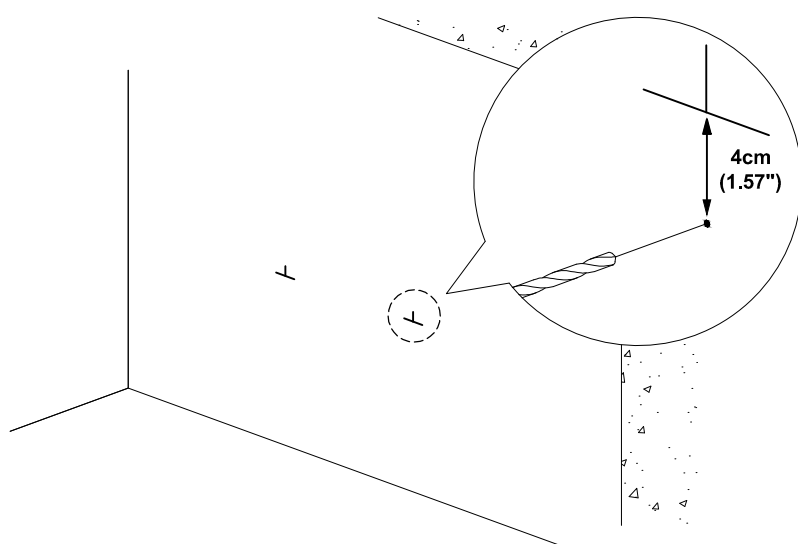
## COMPLETE



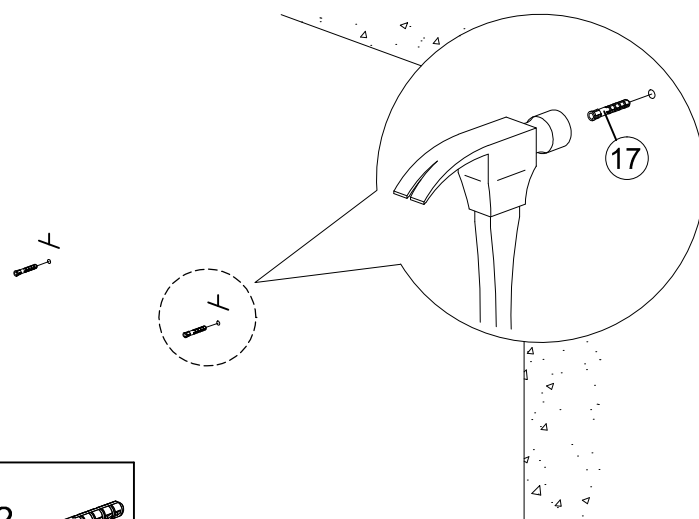
# FURNITURE TIPPING RESTRAINT



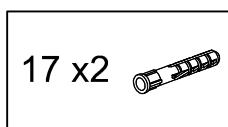
**1. First mark the wall with pencil as in diagram.**



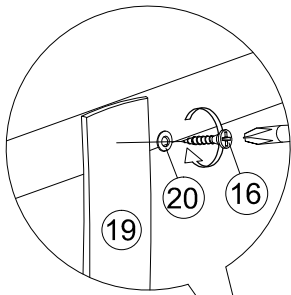
**2. Drill small hole at the pencil mark.**



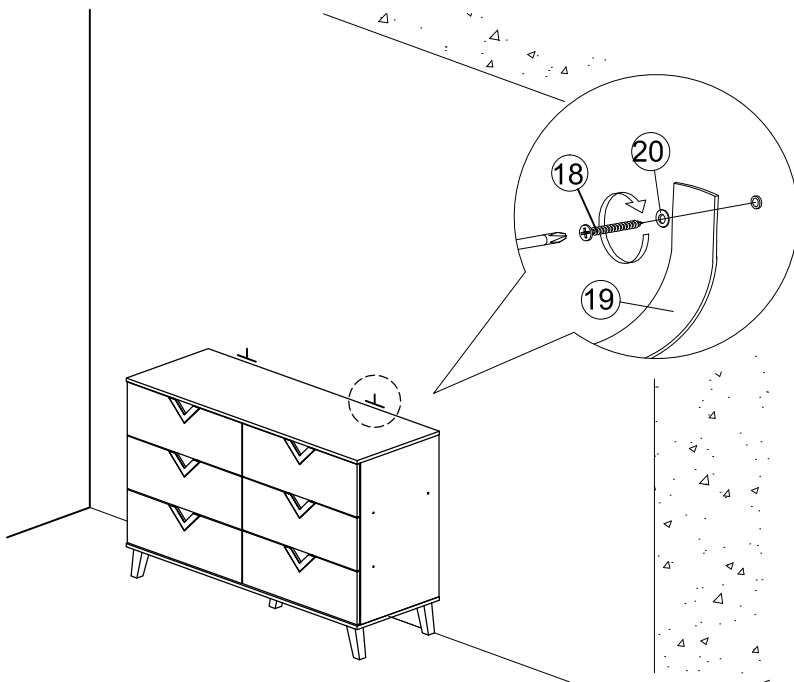
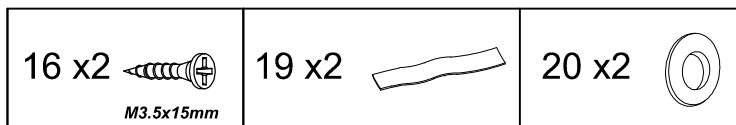
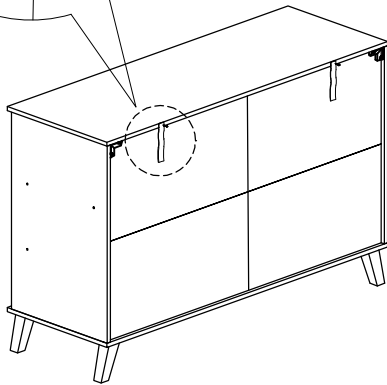
**3. Insert plastic wall plug (17).**



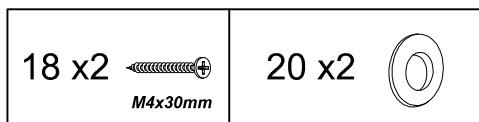
# FURNITURE TIPPING RESTRAINT

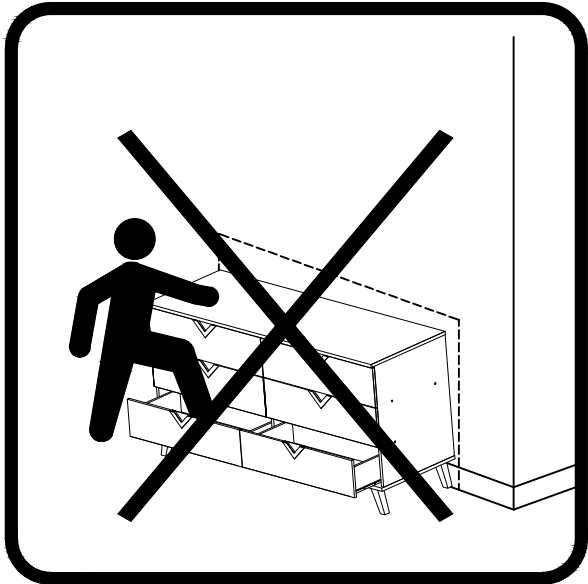
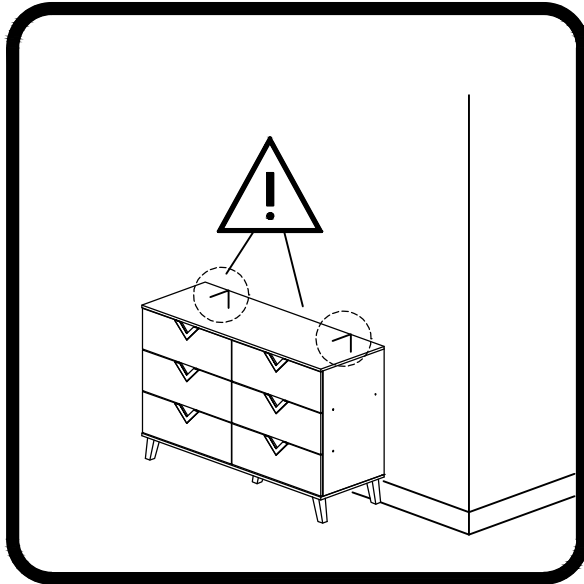


4. Add safety strap (19), washer (20) using 3.5x15mm screw (16) to back of cabinet.



5. Finally, attach safety strap (19) and washer (20) using 4x30mm screw (18) to the wall.





<b>⚠ WARNING</b>	
	<p><b>Serious or fatal crushing injuries can occur from furniture tip-over. To help prevent tip-over:</b></p> <ul style="list-style-type: none"> <li>• Install tipover restraint provided.</li> <li>• Place heaviest items in the lowest drawers.</li> <li>• Do not set TV's or other heavy objects on top of this product, unless the product is specifically designed to accommodate them.</li> <li>• Never allow children to climb or hang on drawers, doors, or shelves.</li> <li>• Never open more than one drawer at a time.</li> </ul>
	<p>(OR)</p> <ul style="list-style-type: none"> <li>• Do not defeat or remove the drawer interlock system.</li> </ul>
	<p><b>Use of tip-over restraints may only reduce, but not eliminate, the risk of tip-over.</b></p> <p><i>This is a permanent label. Do not remove!</i></p>



**Anti-Topple hardware included for added safety and stability**